

## FEATURES

**Triaxial, digital gyroscope,  $\pm 450^\circ/\text{sec}$  dynamic range**

**$< \pm 0.05^\circ$  orthogonal alignment**

**$6^\circ/\text{hr}$  in-run bias stability**

**$0.3^\circ/\sqrt{\text{hr}}$  angular random walk**

**0.01% nonlinearity**

**Triaxial, digital accelerometer,  $\pm 18 g$**

**Triaxial, delta angle and delta velocity outputs**

**Triaxial, digital magnetometer,  $\pm 2.5$  gauss**

**Digital pressure sensor, 300 mbar to 1100 mbar**

**Fast start-up time,  $\sim 500$  ms**

**Factory-calibrated sensitivity, bias, and axial alignment**

**Calibration temperature range:  $-40^\circ\text{C}$  to  $+70^\circ\text{C}$**

**SPI-compatible serial interface**

**Embedded temperature sensor**

**Programmable operation and control**

**Automatic and manual bias correction controls**

**4 FIR filter banks, 120 configurable taps**

**Digital I/O: data-ready alarm indicator, external clock**

**Alarms for condition monitoring**

**Power-down/sleep mode for power management**

**Optional external sample clock input: up to 2.4 kHz**

**Single-command self-test**

**Single-supply operation: 3.0 V to 3.6 V**

**2000 g shock survivability**

**Operating temperature range:  $-40^\circ\text{C}$  to  $+85^\circ\text{C}$**

## APPLICATIONS

Platform stabilization and control

Navigation

Personnel tracking

Instrument

Robotics

## GENERAL DESCRIPTION

The [ADIS16488](#) iSensor® device is a complete inertial system that includes a triaxis gyroscope, a triaxis accelerometer, triaxis magnetometer, and pressure sensor. Each inertial sensor in the [ADIS16488](#) combines industry-leading iMEMS® technology with signal conditioning that optimizes dynamic performance. The factory calibration characterizes each sensor for sensitivity, bias, alignment, and linear acceleration (gyroscope bias). As a result, each sensor has its own dynamic compensation formulas that provide accurate sensor measurements.

The [ADIS16488](#) provides a simple, cost-effective method for integrating accurate, multi-axis inertial sensing into industrial systems, especially when compared with the complexity and investment associated with discrete designs. All necessary motion testing and calibration are part of the production process at the factory, greatly reducing system integration time. Tight orthogonal alignment simplifies inertial frame alignment in navigation systems. The SPI and register structure provide a simple interface for data collection and configuration control.

The [ADIS16488](#) uses the same footprint and connector system as the [ADIS16375](#), which greatly simplifies the upgrade process. It comes in a module that is approximately  $47 \text{ mm} \times 44 \text{ mm} \times 14 \text{ mm}$  and has a standard connector interface.

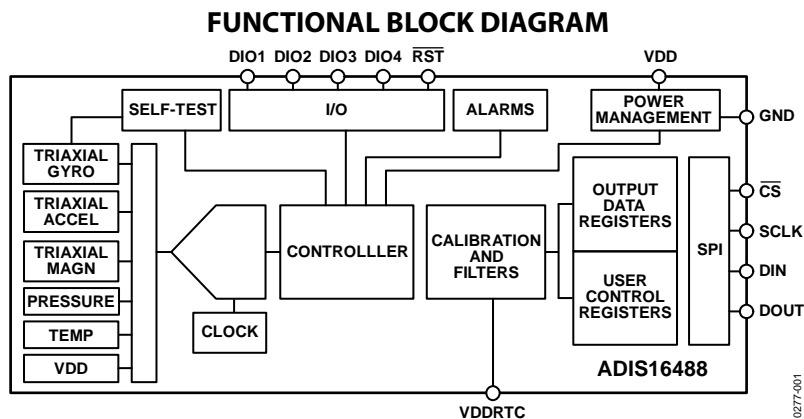


Figure 1.

### Rev. B

Information furnished by Analog Devices is believed to be accurate and reliable. However, no responsibility is assumed by Analog Devices for its use, nor for any infringements of patents or other rights of third parties that may result from its use. Specifications subject to change without notice. No license is granted by implication or otherwise under any patent or patent rights of Analog Devices. Trademarks and registered trademarks are the property of their respective owners.

One Technology Way, P.O. Box 9106, Norwood, MA 02062-9106, U.S.A.

Tel: 781.329.4700

[www.analog.com](http://www.analog.com)

Fax: 781.461.3113

©2011–2012 Analog Devices, Inc. All rights reserved.

## TABLE OF CONTENTS

Features .....	1	Product Identification.....	19
Applications.....	1	Digital Signal Processing .....	20
General Description .....	1	Gyroscopes/Accelerometers .....	20
Functional Block Diagram .....	1	Averaging/Decimation Filter .....	20
Revision History .....	2	Magnetometer/Barometer.....	20
Specifications.....	3	FIR Filter Banks .....	21
Timing Specifications .....	5	Calibration.....	23
Absolute Maximum Ratings.....	6	Gyroscopes .....	23
ESD Caution.....	6	Accelerometers .....	24
Pin Configuration and Function Descriptions.....	7	Magnetometers .....	24
Typical Performance Characteristics .....	8	Barometers .....	26
Basic Operation.....	9	Restoring Factory Calibration .....	26
Register Structure .....	9	Point of Percussion Alignment.....	26
SPI Communication.....	10	Alarms.....	27
Device Configuration .....	10	Static Alarm Use.....	27
Reading Sensor Data.....	10	Dynamic Alarm Use .....	27
User Registers.....	11	System Controls.....	29
Output Data Registers.....	14	Global Commands .....	29
Inertial Sensor Data Format.....	14	Memory Management .....	29
Rotation Rate (Gyroscope).....	14	General-Purpose I/O .....	29
Acceleration.....	15	Power Management .....	30
Delta Angles .....	15	Applications Information .....	32
Delta Velocity.....	16	Prototype Interface Board.....	32
Magnetometers .....	17	Installation Tips.....	32
Barometer .....	17	Outline Dimensions .....	33
Internal Temperature .....	17	Ordering Guide .....	33
Status/Alarm Indicators.....	18		
Firmware Revision .....	19		

## REVISION HISTORY

### 2/12—Rev. A to Rev. B

Change to Features Section .....	1
Changes to Table 3.....	6
Changes to Figure 7 and Figure 8.....	8
Changes to Delta Angles Section.....	15
Changes to Delta Velocity Section, Table 31, Table 32, Table 33, and Table 34.....	16
Change to Status/Alarm Indicators Section.....	18
Changes to Gyroscopes/Accelerometers Section, Averaging/Decimation Filter Section, Magnetometer/Barometer Section, and Figure 20.....	20
Changes to Input Sync/Clock Control Section.....	30

Changes to Prototype Interface Board Section and Figure 26 .....	30
--	----

### 12/11—Rev. 0 to Rev. A

Changes to Specifications Section.....	3
Changes to System/Alarm Indicators Section .....	18
Changes to Averaging/Decimation Filter Section.....	20
Changes to General-Purpose I/O Section.....	29
Changes to Input Sync/Clock Control Section.....	30

### 10/11—Revision 0: Initial Version

## SPECIFICATIONS

$T_A = 25^\circ\text{C}$ ,  $V_{DD} = 3.3\text{ V}$ , angular rate =  $0^\circ/\text{sec}$ , dynamic range =  $\pm 450^\circ/\text{sec} \pm 1\text{ g}$ , 300 mbar to 1100 mbar, unless otherwise noted.

Table 1.

Parameter	Test Conditions/Comments	Min	Typ	Max	Unit
<b>GYROSCOPES</b>					
Dynamic Range		$\pm 450$		$\pm 480$	$^\circ/\text{sec}$
Sensitivity	x_GYRO_OUT and x_GYRO_LOW (32-bit)		$3.052 \times 10^{-7}$		$^\circ/\text{sec}/\text{LSB}$
Initial Sensitivity Tolerance				$\pm 1$	%
Sensitivity Temperature Coefficient	$-40^\circ\text{C} \leq T_A \leq +70^\circ\text{C}$ , $1\sigma$		$\pm 35$		$\text{ppm}/^\circ\text{C}$
Misalignment	Axis-to-axis		$\pm 0.05$		Degrees
	Axis-to-frame (package)		$\pm 1.0$		Degrees
Nonlinearity	Best-fit straight line, $FS = 450^\circ/\text{sec}$		0.01		% of FS
Initial Bias Error	$1\sigma$		$\pm 0.2$		$^\circ/\text{sec}$
In-Run Bias Stability	$1\sigma$		6.25		$^\circ/\text{hr}$
Angular Random Walk	$1\sigma$		0.3		$^\circ/\sqrt{\text{hr}}$
Bias Temperature Coefficient	$-40^\circ\text{C} \leq T_A \leq +70^\circ\text{C}$ , $1\sigma$		$\pm 0.0025$		$^\circ/\text{sec}/^\circ\text{C}$
Linear Acceleration Effect on Bias	Any axis, $1\sigma$ (CONFIG[7] = 1)		0.009		$^\circ/\text{sec}/\text{g}$
Output Noise	No filtering		0.16		$^\circ/\text{sec rms}$
Rate Noise Density	$f = 25\text{ Hz}$ , no filtering		0.0066		$^\circ/\text{sec}/\sqrt{\text{Hz rms}}$
3 dB Bandwidth			330		Hz
Sensor Resonant Frequency			18		kHz
<b>ACCELEROMETERS</b>					
Dynamic Range	Each axis	$\pm 18$			<i>g</i>
Sensitivity	x_ACCL_OUT and x_ACCL_LOW (32-bit)		$1.221 \times 10^{-8}$		<i>g</i> /LSB
Initial Sensitivity Tolerance				$\pm 0.5$	%
Sensitivity Temperature Coefficient	$-40^\circ\text{C} \leq T_A \leq +85^\circ\text{C}$ , $1\sigma$		$\pm 25$		$\text{ppm}/^\circ\text{C}$
Misalignment	Axis-to-axis		$\pm 0.035$		Degrees
	Axis-to-frame (package)		$\pm 1.0$		Degrees
Nonlinearity	Best-fit straight line, $\pm 10\text{ g}$		0.1		% of FS
	Best-fit straight line, $\pm 18\text{ g}$		0.5		% of FS
Initial Bias Error	$1\sigma$		$\pm 16$		mg
In-Run Bias Stability	$1\sigma$		0.1		mg
Velocity Random Walk	$1\sigma$		0.029		$\text{m}/\text{sec}/\sqrt{\text{hr}}$
Bias Temperature Coefficient	$-40^\circ\text{C} \leq T_A \leq +85^\circ\text{C}$		$\pm 0.1$		$\text{mg}/^\circ\text{C}$
Output Noise	No filtering		1.5		mg rms
Noise Density	$f = 25\text{ Hz}$ , no filtering		0.067		$\text{mg}/\sqrt{\text{Hz rms}}$
3 dB Bandwidth			330		Hz
Sensor Resonant Frequency			5.5		kHz
<b>MAGNETOMETER</b>					
Dynamic Range		$\pm 2.5$			gauss
Sensitivity			0.1		mgauss/LSB
Initial Sensitivity Tolerance				$\pm 2$	%
Sensitivity Temperature Coefficient	$1\sigma$		275		$\text{ppm}/^\circ\text{C}$
Misalignment	Axis to axis		0.25		Degrees
	Axis to frame (package)		0.5		Degrees
Nonlinearity	Best fit straight line		0.5		% of FS
Initial Bias Error	0 gauss stimulus		$\pm 15$		mgauss
Bias Temperature Coefficient	$-40^\circ\text{C} \leq T_A \leq +85^\circ\text{C}$ , $1\sigma$		0.3		$\text{mgauss}/^\circ\text{C}$
Output Noise	No filtering		0.45		mgauss
Noise Density	$f = 25\text{ Hz}$ , no filtering		0.054		$\text{mgauss}/\sqrt{\text{Hz}}$
3 dB Bandwidth			330		Hz

Parameter	Test Conditions/Comments	Min	Typ	Max	Unit
<b>BAROMETER</b>					
Pressure Range		300		1100	mbar
	Extended	10		1200	mbar
Sensitivity	BAROM_OUT and BAROM_LOW (32-bit)		$6.1 \times 10^{-7}$		mbar/LSB
Error with Supply			0.04		%/V
Total Error			4.5		mbar
Relative Error <sup>1</sup>	–40°C to +85°C		2.5		mbar
Linearity <sup>2</sup>	Best fit straight line, FS = 1100 mbar		0.1		% of FS
	–40°C to +85°C		0.2		% of FS
Linear-g Sensitivity	$\pm 1 g, 1 \sigma$		0.005		mbar/g
Noise			0.025		mbar rms
<b>TEMPERATURE SENSOR</b>					
Scale Factor	Output = 0x0000 at 25°C ( $\pm 5^\circ\text{C}$ )		0.00565		°C/LSB
<b>LOGIC INPUTS<sup>3</sup></b>					
Input High Voltage, $V_{IH}$		2.0			V
Input Low Voltage, $V_{IL}$				0.8	V
$\overline{CS}$ Wake-Up Pulse Width		20			$\mu\text{s}$
Logic 1 Input Current, $I_{IH}$	$V_{IH} = 3.3 \text{ V}$			10	$\mu\text{A}$
Logic 0 Input Current, $I_{IL}$	$V_{IL} = 0 \text{ V}$			10	$\mu\text{A}$
All Pins Except $\overline{RST}$					$\mu\text{A}$
$\overline{RST}$ Pin			0.33		mA
Input Capacitance, $C_{IN}$			10		pF
<b>DIGITAL OUTPUTS</b>					
Output High Voltage, $V_{OH}$	$I_{SOURCE} = 0.5 \text{ mA}$	2.4			V
Output Low Voltage, $V_{OL}$	$I_{SINK} = 2.0 \text{ mA}$			0.4	V
<b>FLASH MEMORY</b>					
Data Retention <sup>5</sup>	Endurance <sup>4</sup>	100,000			Cycles
	$T_J = 85^\circ\text{C}$	20			Years
<b>FUNCTIONAL TIMES<sup>6</sup></b>					
Power-On Start-up Time	Time until data is available		500		ms
Reset Recovery Time			500		ms
Sleep Mode Recovery Time			500		$\mu\text{s}$
Flash Memory Update Time			375		ms
Flash Memory Test Time			50		ms
Automatic Self-Test Time	Using internal clock, 100 SPS		12		ms
<b>CONVERSION RATE</b>					
Initial Clock Accuracy			2.46		kSPS
Temperature Coefficient			0.02		%
Sync Input Clock		0.7 <sup>7</sup>		2.4	kHz
<b>POWER SUPPLY, VDD</b>					
Power Supply Current <sup>8</sup>	Operating voltage range	3.0		3.6	V
	Normal mode, $V_{DD} = 3.3 \text{ V}, \mu \pm \sigma$		254		mA
	Sleep mode, $V_{DD} = 3.3 \text{ V}$		12.2		mA
	Power-down mode, $V_{DD} = 3.3 \text{ V}$		45		$\mu\text{A}$
<b>POWER SUPPLY, VDDRTC</b>					
Real-Time Clock Supply Current	Operating voltage range	3.0		3.6	V
	Normal mode, $V_{DDRTC} = 3.3 \text{ V}$		13		$\mu\text{A}$

<sup>1</sup> The relative error assumes that the initial error, at 25°C, is corrected in the end application.

<sup>2</sup> Linearity errors assume a full scale (FS) of 1000 mbar.

<sup>3</sup> The digital I/O signals are driven by an internal 3.3 V supply, and the inputs are 5 V tolerant.

<sup>4</sup> Endurance is qualified as per JEDEC Standard 22, Method A117, and measured at –40°C, +25°C, +85°C, and +125°C.

<sup>5</sup> The data retention specification assumes a junction temperature ( $T_J$ ) of 85°C as per JEDEC Standard 22, Method A117. Data retention lifetime decreases with  $T_J$ .

<sup>6</sup> These times do not include thermal settling and internal filter response times, which may affect overall accuracy.

<sup>7</sup> Device functions at clock rates below 0.7 kHz, but at reduced performance levels.

<sup>8</sup> Supply current transients can reach 450 mA for 400  $\mu\text{s}$  during start-up and reset recovery.

**TIMING SPECIFICATIONS**

T<sub>A</sub> = 25°C, VDD = 3.3 V, unless otherwise noted.

Table 2.

Parameter	Description	Min <sup>1</sup>	Normal Mode		Unit
			Typ	Max <sup>1</sup>	
f <sub>SCLK</sub>	Serial clock	0.01		15	MHz
t <sub>STALL</sub>	Stall period between data	2			μs
t <sub>CLS</sub>	Serial clock low period	31			ns
t <sub>CHS</sub>	Serial clock high period	31			ns
t <sub>CS</sub>	Chip select to clock edge	32			ns
t <sub>DAV</sub>	DOUT valid after SCLK edge			10	ns
t <sub>DSU</sub>	DIN setup time before SCLK rising edge	2			ns
t <sub>DHD</sub>	DIN hold time after SCLK rising edge	2			ns
t <sub>DR</sub> , t <sub>DF</sub>	DOUT rise/fall times, ≤100 pF loading		3	8	ns
t <sub>DSOE</sub>	CS assertion to data out active	0		11	ns
t <sub>HD</sub>	SCLK edge to data out invalid	0			ns
t <sub>DSHI</sub>	CS deassertion to data out high impedance	0		9	ns
t <sub>1</sub>	Input sync pulse width	5			μs
t <sub>2</sub>	Input sync to data-ready output			490	μs
t <sub>3</sub>	Input sync period	417			μs

<sup>1</sup> Guaranteed by design and characterization, but not tested in production.

**Timing Diagrams**

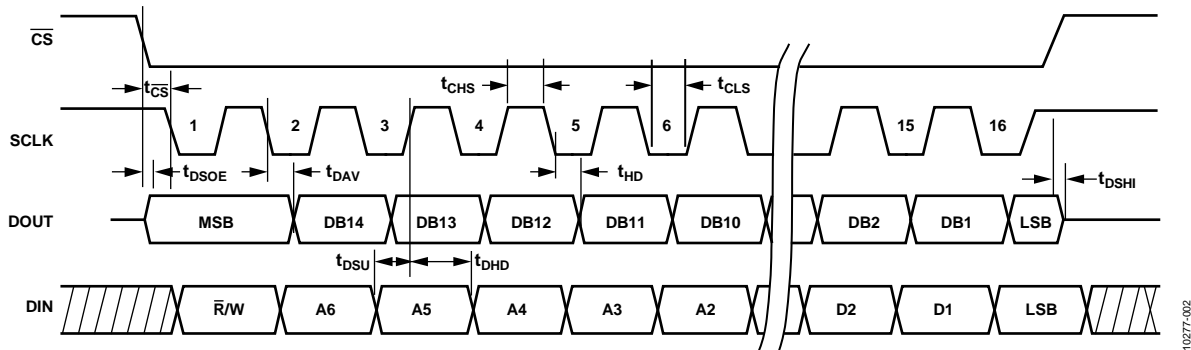


Figure 2. SPI Timing and Sequence

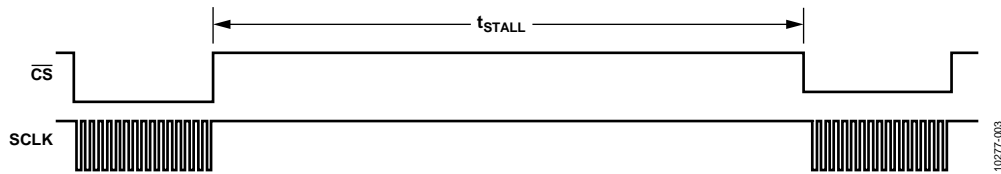


Figure 3. Stall Time and Data Rate

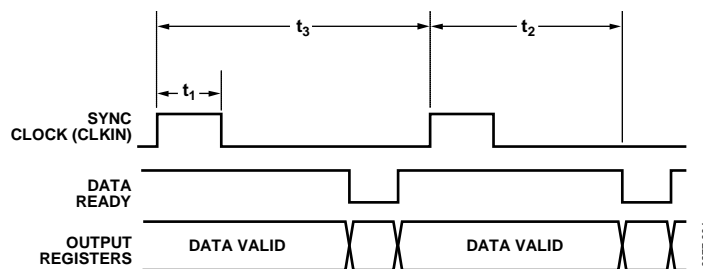


Figure 4. Input Clock Timing Diagram

## ABSOLUTE MAXIMUM RATINGS

Table 3.

Parameter	Rating
Acceleration	
Any Axis, Unpowered	2000 <i>g</i>
Any Axis, Powered	2000 <i>g</i>
VDD to GND	−0.3 V to +3.6 V
Digital Input Voltage to GND	−0.3 V to VDD + 0.2 V
Digital Output Voltage to GND	−0.3 V to VDD + 0.2 V
Operating Temperature Range	−40°C to +85°C
Storage Temperature Range	−65°C to +150°C <sup>1</sup>
Barometric Pressure	6 bar

<sup>1</sup> Extended exposure to temperatures that are lower than −40°C or higher than +105°C can adversely affect the accuracy of the factory calibration.

Stresses above those listed under Absolute Maximum Ratings may cause permanent damage to the device. This is a stress rating only; functional operation of the device at these or any other conditions above those indicated in the operational section of this specification is not implied. Exposure to absolute maximum rating conditions for extended periods may affect device reliability.

Table 4. Package Characteristics

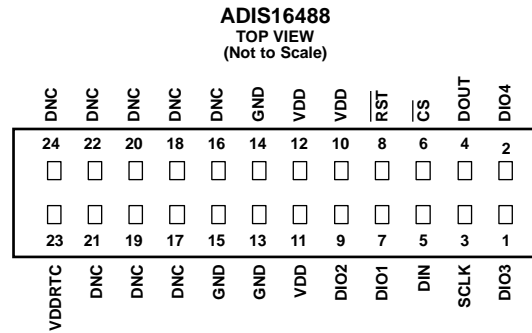
Package Type	$\theta_{JA}$	$\theta_{JC}$	Device Weight
24-Lead Module (ML-24-6)	22.8°C/W	10.1°C/W	48 g

### ESD CAUTION



**ESD (electrostatic discharge) sensitive device.** Charged devices and circuit boards can discharge without detection. Although this product features patented or proprietary protection circuitry, damage may occur on devices subjected to high energy ESD. Therefore, proper ESD precautions should be taken to avoid performance degradation or loss of functionality.

# PIN CONFIGURATION AND FUNCTION DESCRIPTIONS



- NOTES**
1. THIS REPRESENTATION DISPLAYS THE TOP VIEW PINOUT FOR THE MATING SOCKET CONNECTOR.
  2. THE ACTUAL CONNECTOR PINS ARE NOT VISIBLE FROM THE TOP VIEW.
  3. MATING CONNECTOR: SAMTEC CLM-112-02 OR EQUIVALENT.
  4. DNC = DO NOT CONNECT TO THESE PINS.

Figure 5. Mating Connector Pin Assignments

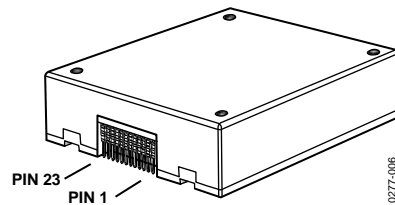


Figure 6. Axial Orientation (Top Side Facing Up)

Table 5. Pin Function Descriptions

Pin No.	Mnemonic	Type	Description
1	DIO3	Input/output	Configurable Digital Input/Output.
2	DIO4	Input/output	Configurable Digital Input/Output.
3	SCLK	Input	SPI Serial Clock.
4	DOUT	Output	SPI Data Output. Clocks output on SCLK falling edge.
5	DIN	Input	SPI Data Input. Clocks input on SCLK rising edge.
6	CS	Input	SPI Chip Select.
7	DIO1	Input/output	Configurable Digital Input/Output.
8	RST	Input	Reset.
9	DIO2	Input/output	Configurable Digital Input/Output.
10, 11, 12	VDD	Supply	Power Supply.
13, 14, 15	GND	Supply	Power Ground.
16 to 22, 24	DNC	Not applicable	Do Not Connect to These Pins.
23	VDDRTC	Supply	Real-Time Clock Power Supply.

TYPICAL PERFORMANCE CHARACTERISTICS

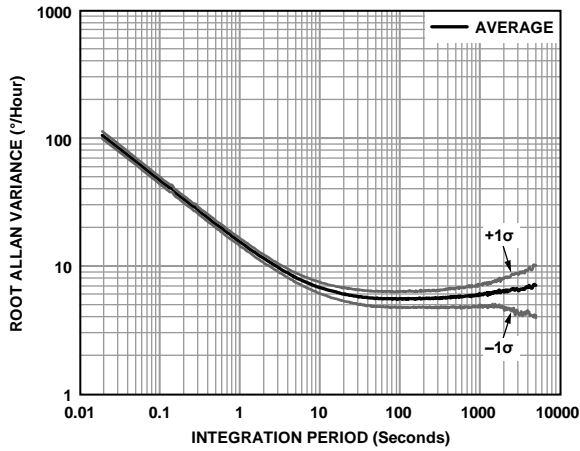


Figure 7. Gyroscope Allan Variance, 25°C

10277-007

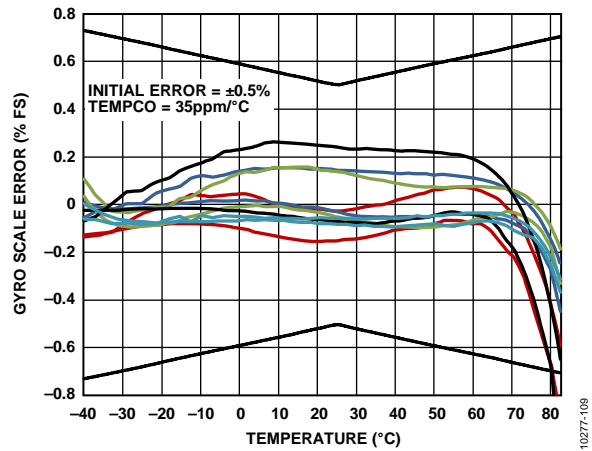


Figure 9. Gyroscope Scale (Sensitivity) Error and Hysteresis vs. Temperature

10277-108

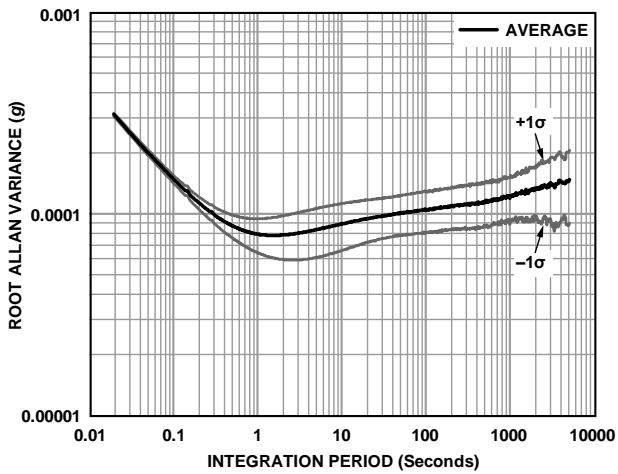


Figure 8. Accelerometer Allan Variance, 25°C

10277-008

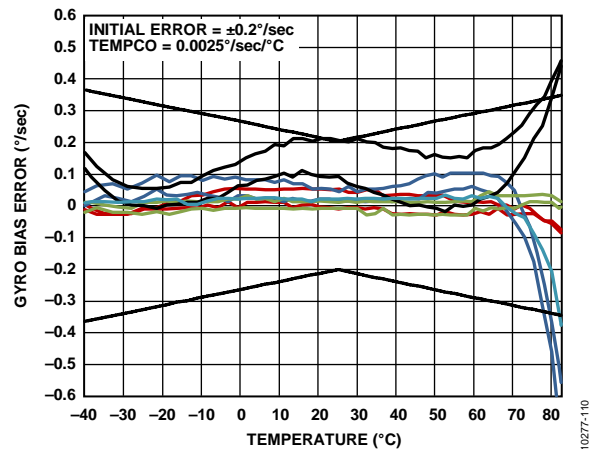


Figure 10. Gyroscope Bias Error and Hysteresis vs. Temperature

10277-110



## BASIC OPERATION

The ADIS16488 is an autonomous sensor system that starts up on its own when it has a valid power supply. After running through its initialization process, it begins sampling, processing, and loading calibrated sensor data into the output registers, which are accessible using the SPI port. The SPI port typically connects to a compatible port on an embedded processor, using the connection diagram in Figure 11. The four SPI signals facilitate synchronous, serial data communication. Connect RST (see Table 5) to VDD or leave it open for normal operation. The factory default configuration provides users with a data-ready signal on the DIO2 pin, which pulses high when new data is available in the output data registers.

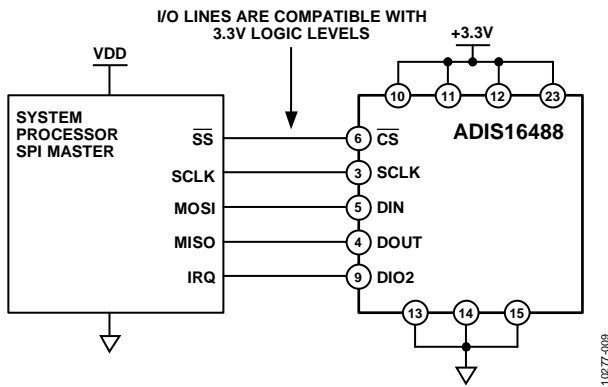


Figure 11. Electrical Connection Diagram

Table 6. Generic Master Processor Pin Names and Functions

Mnemonic	Function
SS	Slave select
IRQ	Interrupt request
MOSI	Master output, slave input
MISO	Master input, slave output
SCLK	Serial clock

Embedded processors typically use control registers to configure their serial ports for communicating with SPI slave devices such as the ADIS16488. Table 7 provides a list of settings, which describe the SPI protocol of the ADIS16488. The initialization routine of the master processor typically establishes these settings using firmware commands to write them into its serial control registers.

Table 7. Generic Master Processor SPI Settings

Processor Setting	Description
Master	The ADIS16488 operates as a slave.
SCLK ≤ 15 MHz	Maximum serial clock rate.
SPI Mode 3	CPOL = 1 (polarity), and CPHA = 1 (phase).
MSB-First Mode	Bit sequence.
16-Bit Mode	Shift register/data length.

## REGISTER STRUCTURE

The register structure and SPI port provide a bridge between the sensor processing system and an external, master processor. It contains both output data and control registers. The output data registers include the latest sensor data, a real-time clock, error flags, alarm flags, and identification data. The control registers include sample rate, filtering, input/output, alarms, calibration, and diagnostic configuration options. All communication between the ADIS16488 and an external processor involves either reading or writing to one of the user registers.

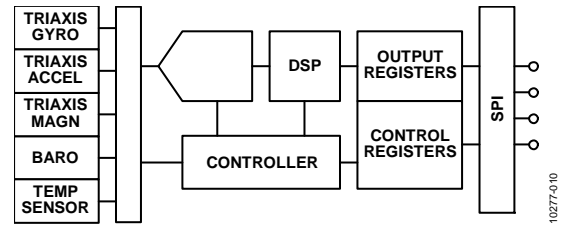


Figure 12. Basic Operation

The register structure uses a paged addressing scheme that is composed of 13 pages, with each one containing 64 register locations. Each register is 16 bits wide, with each byte having its own unique address within that page's memory map. The SPI port has access to one page at a time, using the bit sequence in Figure 17. Select the page to activate for SPI access by writing its code to the PAGE\_ID register. Read the PAGE\_ID register to determine which page is currently active. Table 8 displays the PAGE\_ID contents for each page, along with their basic functions. The PAGE\_ID register is located at Address 0x00 on every page.

Table 8. User Register Page Assignments

Page	PAGE_ID	Function
0	0x00	Output data, clock, identification
1	0x01	Reserved
2	0x02	Calibration
3	0x03	Control: sample rate, filtering, I/O, alarms
4	0x04	Serial number
5	0x05	FIR Filter Bank A Coefficient 0 to Coefficient 59
6	0x06	FIR Filter Bank A, Coefficient 60 to Coefficient 119
7	0x07	FIR Filter Bank B, Coefficient 0 to Coefficient 59
8	0x08	FIR Filter Bank B, Coefficient 60 to Coefficient 119
9	0x09	FIR Filter Bank C, Coefficient 0 to Coefficient 59
10	0x0A	FIR Filter Bank C, Coefficient 60 to Coefficient 119
11	0x0B	FIR Filter Bank D, Coefficient 0 to Coefficient 59
12	0x0C	FIR Filter Bank D, Coefficient 60 to Coefficient 119

**SPI COMMUNICATION**

The SPI port supports full duplex communication, as shown in Figure 17, which enables external processors to write to DIN while reading DOUT, if the previous command was a read request. Figure 17 provides a guideline for the bit coding on both DIN and DOUT.

**DEVICE CONFIGURATION**

The SPI provides write access to the control registers, one byte at a time, using the bit assignments shown in Figure 17. Each register has 16 bits, where Bits[7:0] represent the lower address (listed in Table 9) and Bits[15:8] represent the upper address. Write to the lower byte of a register first, followed by a write to its upper byte second. The only register that changes with a single write to its lower byte is the PAGE\_ID register. For a write command, the first bit in the DIN sequence is set to 1. Address Bits[A6:A0] represent the target address, and Data Command Bits[DC7:DC0] represent the data being written to the location. Figure 13 provides an example of writing 0x03 to Address 0x00 (PAGE\_ID [7:0]), using DIN = 0x8003. This write command activates the control page for SPI access.

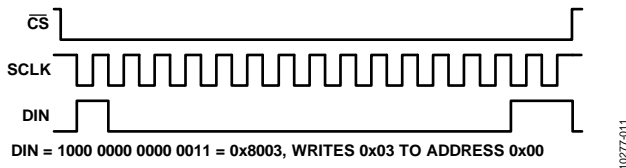


Figure 13. SPI Sequence for Activating the Control Page (DIN = 0x8003)

**Dual Memory Structure**

Writing configuration data to a control register updates its SRAM contents, which are volatile. After optimizing each relevant control register setting in a system, use the manual flash update command, which is located in GLOB\_CMD[3] on Page 3 of the register map. Activate the manual flash update command by turning to Page 3 (DIN = 0x8003) and setting GLOB\_CMD[3] = 1 (DIN = 0x8208, then DIN = 0x8300). Make sure that the power supply is within specification for the entire 375 ms processing time for a flash memory update. Table 9 provides a memory map for all of the user registers, which includes a column of flash backup information. A yes in this column indicates that a register has a mirror location in flash and, when backed up properly, automatically restores itself during startup or after a reset. Figure 14 provides a diagram of the dual memory structure used to manage operation and store critical user settings.

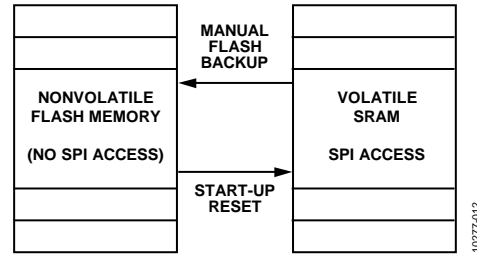


Figure 14. SRAM and Flash Memory Diagram

**READING SENSOR DATA**

The ADIS16488 automatically starts up and activates Page 0 for data register access. Write 0x00 to the PAGE\_ID register (DIN = 0x8000) to activate Page 0 for data access after accessing any other page. A single register read requires two 16-bit SPI cycles. The first cycle requests the contents of a register using the bit assignments in Figure 17, and then the register contents follow DOUT during the second sequence. The first bit in a DIN command is zero, followed by either the upper or lower address for the register. The last eight bits are don't care, but the SPI requires the full set of 16 SCLKs to receive the request. Figure 15 includes two register reads in succession, which starts with DIN = 0x1A00 to request the contents of the Z\_GYRO\_OUT register and follows with 0x1800 to request the contents of the Z\_GYRO\_LOW register.

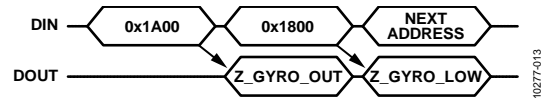


Figure 15. SPI Read Example

Figure 16 provides an example of the four SPI signals when reading PROD\_ID in a repeating pattern. This is a good pattern to use for troubleshooting the SPI interface setup and communications because the contents of PROD\_ID are predefined and stable.

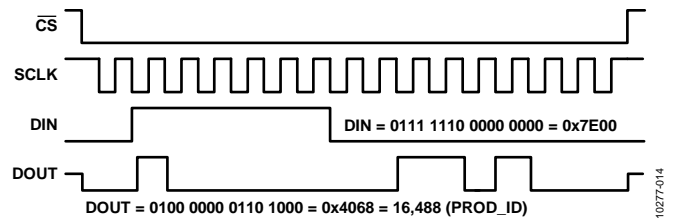
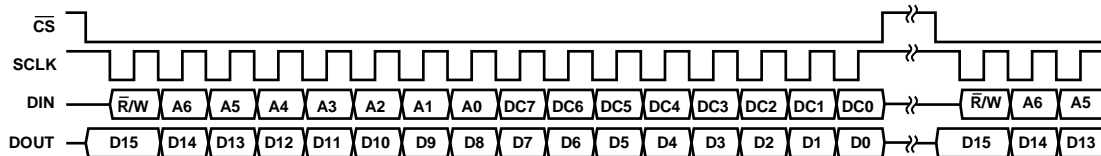


Figure 16. SPI Read Example, Second 16-Bit Sequence



**NOTES**

1. DOUT BITS ARE PRODUCED ONLY WHEN THE PREVIOUS 16-BIT DIN SEQUENCE STARTS WITH R/W = 0.
2. WHEN CS IS HIGH, DOUT IS IN A THREE-STATE, HIGH IMPEDANCE MODE, WHICH ALLOWS MULTIFUNCTIONAL USE OF THE LINE FOR OTHER DEVICES.

Figure 17. SPI Communication Bit Sequence

## USER REGISTERS

Table 9. User Register Memory Map (N/A = Not Applicable)

Name	R/W	Flash	PAGE_ID	Address	Default	Register Description	Format
PAGE_ID	R/W	No	0x00	0x00	0x00	Page identifier	N/A
Reserved	N/A	N/A	0x00	0x02 to 0x04	N/A	Reserved	N/A
SEQ_CNT	R	No	0x00	0x06	N/A	Sequence counter	Table 56
SYS_E_FLAG	R	No	0x00	0x08	0x0000	Output, system error flags	Table 47
DIAG_STS	R	No	0x00	0x0A	0x0000	Output, self-test error flags	Table 48
ALM_STS	R	No	0x00	0x0C	0x0000	Output, alarm error flags	Table 49
TEMP_OUT	R	No	0x00	0x0E	N/A	Output, temperature	Table 45
X_GYRO_LOW	R	No	0x00	0x10	N/A	Output, x-axis gyroscope, low word	Table 14
X_GYRO_OUT	R	No	0x00	0x12	N/A	Output, x-axis gyroscope, high word	Table 10
Y_GYRO_LOW	R	No	0x00	0x14	N/A	Output, y-axis gyroscope, low word	Table 15
Y_GYRO_OUT	R	No	0x00	0x16	N/A	Output, y-axis gyroscope, high word	Table 11
Z_GYRO_LOW	R	No	0x00	0x18	N/A	Output, z-axis gyroscope, low word	Table 16
Z_GYRO_OUT	R	No	0x00	0x1A	N/A	Output, z-axis gyroscope, high word	Table 12
X_ACCL_LOW	R	No	0x00	0x1C	N/A	Output, x-axis accelerometer, low word	Table 21
X_ACCL_OUT	R	No	0x00	0x1E	N/A	Output, x-axis accelerometer, high word	Table 17
Y_ACCL_LOW	R	No	0x00	0x20	N/A	Output, y-axis accelerometer, low word	Table 22
Y_ACCL_OUT	R	No	0x00	0x22	N/A	Output, y-axis accelerometer, high word	Table 18
Z_ACCL_LOW	R	No	0x00	0x24	N/A	Output, z-axis accelerometer, low word	Table 23
Z_ACCL_OUT	R	No	0x00	0x26	N/A	Output, z-axis accelerometer, high word	Table 19
X_MAGN_OUT	R	No	0x00	0x28	N/A	Output, x-axis magnetometer, high word	Table 38
Y_MAGN_OUT	R	No	0x00	0x2A	N/A	Output, y-axis magnetometer, high word	Table 39
Z_MAGN_OUT	R	No	0x00	0x2C	N/A	Output, z-axis magnetometer, high word	Table 40
BAROM_LOW	R	No	0x00	0x2E	N/A	Output, barometer, low word	Table 44
BAROM_OUT	R	No	0x00	0x30	N/A	Output, barometer, high word	Table 42
Reserved	N/A	N/A	0x00	0x32 to 0x3E	N/A	Reserved	N/A
X_DELTANG_LOW	R	No	0x00	0x40	N/A	Output, x-axis delta angle, low word	Table 28
X_DELTANG_OUT	R	No	0x00	0x42	N/A	Output, x-axis delta angle, high word	Table 24
Y_DELTANG_LOW	R	No	0x00	0x44	N/A	Output, y-axis delta angle, low word	Table 29
Y_DELTANG_OUT	R	No	0x00	0x46	N/A	Output, y-axis delta angle, high word	Table 25
Z_DELTANG_LOW	R	No	0x00	0x48	N/A	Output, z-axis delta angle, low word	Table 30
Z_DELTANG_OUT	R	No	0x00	0x4A	N/A	Output, z-axis delta angle, high word	Table 26
X_DELTVEL_LOW	R	No	0x00	0x4C	N/A	Output, x-axis delta velocity, low word	Table 35
X_DELTVEL_OUT	R	No	0x00	0x4E	N/A	Output, x-axis delta velocity, high word	Table 31
Y_DELTVEL_LOW	R	No	0x00	0x50	N/A	Output, y-axis delta velocity, low word	Table 36
Y_DELTVEL_OUT	R	No	0x00	0x52	N/A	Output, y-axis delta velocity, high word	Table 32
Z_DELTVEL_LOW	R	No	0x00	0x54	N/A	Output, z-axis delta velocity, low word	Table 37
Z_DELTVEL_OUT	R	No	0x00	0x56	N/A	Output, z-axis delta velocity, high word	Table 33
Reserved	N/A	N/A	0x00	0x58 to 0x76	N/A	Reserved	N/A
TIME_MS_OUT	R	Yes	0x00	0x78	N/A	Factory configuration time: minutes/seconds	Table 124
TIME_DH_OUT	R	Yes	0x00	0x7A	N/A	Factory configuration date/time: day/hour	Table 125
TIME_YM_OUT	R	Yes	0x00	0x7C	N/A	Factory configuration date: year/month	Table 126
PROD_ID	R	Yes	0x00	0x7E	0x4068	Output, product identification (16,488)	Table 53
Reserved	N/A	N/A	0x01	0x00 to 0x7E	N/A	Reserved	N/A
PAGE_ID	R/W	No	0x02	0x00	0x00	Page identifier	N/A
Reserved	N/A	N/A	0x02	0x02	N/A	Reserved	N/A
X_GYRO_SCALE	R/W	Yes	0x02	0x04	0x0000	Calibration, scale, x-axis gyroscope	Table 71
Y_GYRO_SCALE	R/W	Yes	0x02	0x06	0x0000	Calibration, scale, y-axis gyroscope	Table 72
Z_GYRO_SCALE	R/W	Yes	0x02	0x08	0x0000	Calibration, scale, z-axis gyroscope	Table 73
X_ACCL_SCALE	R/W	Yes	0x02	0x0A	0x0000	Calibration, scale, x-axis accelerometer	Table 81
Y_ACCL_SCALE	R/W	Yes	0x02	0x0C	0x0000	Calibration, scale, y-axis accelerometer	Table 82
Z_ACCL_SCALE	R/W	Yes	0x02	0x0E	0x0000	Calibration, scale, z-axis accelerometer	Table 83

Name	R/W	Flash	PAGE_ID	Address	Default	Register Description	Format
XG_BIAS_LOW	R/W	Yes	0x02	0x10	0x0000	Calibration, offset, gyroscope, x-axis, low word	Table 67
XG_BIAS_HIGH	R/W	Yes	0x02	0x12	0x0000	Calibration, offset, gyroscope, x-axis, high word	Table 64
YG_BIAS_LOW	R/W	Yes	0x02	0x14	0x0000	Calibration, offset, gyroscope, y-axis, low word	Table 68
YG_BIAS_HIGH	R/W	Yes	0x02	0x16	0x0000	Calibration, offset, gyroscope, y-axis, high word	Table 65
ZG_BIAS_LOW	R/W	Yes	0x02	0x18	0x0000	Calibration, offset, gyroscope, z-axis, low word	Table 69
ZG_BIAS_HIGH	R/W	Yes	0x02	0x1A	0x0000	Calibration, offset, gyroscope, z-axis, high word	Table 66
XA_BIAS_LOW	R/W	Yes	0x02	0x1C	0x0000	Calibration, offset, accelerometer, x-axis, low word	Table 78
XA_BIAS_HIGH	R/W	Yes	0x02	0x1E	0x0000	Calibration, offset, accelerometer, x-axis, high word	Table 75
YA_BIAS_LOW	R/W	Yes	0x02	0x20	0x0000	Calibration, offset, accelerometer, y-axis, low word	Table 79
YA_BIAS_HIGH	R/W	Yes	0x02	0x22	0x0000	Calibration, offset, accelerometer, y-axis, high word	Table 76
ZA_BIAS_LOW	R/W	Yes	0x02	0x24	0x0000	Calibration, offset, accelerometer, z-axis, low word	Table 80
ZA_BIAS_HIGH	R/W	Yes	0x02	0x26	0x0000	Calibration, offset, accelerometer, z-axis, high word	Table 77
HARD_IRON_X	R/W	Yes	0x02	0x28	0x0000	Calibration, hard iron, magnetometer, x-axis	Table 84
HARD_IRON_Y	R/W	Yes	0x02	0x2A	0x0000	Calibration, hard iron, magnetometer, y-axis	Table 85
HARD_IRON_Z	R/W	Yes	0x02	0x2C	0x0000	Calibration, hard iron, magnetometer, z-axis	Table 86
SOFT_IRON_S11	R/W	Yes	0x02	0x2E	0x0000	Calibration, soft iron, magnetometer, S11	Table 88
SOFT_IRON_S12	R/W	Yes	0x02	0x30	0x0000	Calibration, soft iron, magnetometer, S12	Table 89
SOFT_IRON_S13	R/W	Yes	0x02	0x32	0x0000	Calibration, soft iron, magnetometer, S13	Table 90
SOFT_IRON_S21	R/W	Yes	0x02	0x34	0x0000	Calibration, soft iron, magnetometer, S21	Table 91
SOFT_IRON_S22	R/W	Yes	0x02	0x36	0x0000	Calibration, soft iron, magnetometer, S22	Table 92
SOFT_IRON_S23	R/W	Yes	0x02	0x38	0x0000	Calibration, soft iron, magnetometer, S23	Table 93
SOFT_IRON_S31	R/W	Yes	0x02	0x3A	0x0000	Calibration, soft iron, magnetometer, S31	Table 94
SOFT_IRON_S32	R/W	Yes	0x02	0x3C	0x0000	Calibration, soft iron, magnetometer, S32	Table 95
SOFT_IRON_S33	R/W	Yes	0x02	0x3E	0x0000	Calibration, soft iron, magnetometer, S33	Table 96
BR_BIAS_LOW	R/W	Yes	0x02	0x40	0x0000	Calibration, offset, barometer, low word	Table 99
BR_BIAS_HIGH	R/W	Yes	0x02	0x42	0x0000	Calibration, offset, barometer, high word	Table 98
Reserved	N/A	N/A	0x02	0x44 to 0x72	N/A	Reserved	N/A
USER_SCR_1	R/W	Yes	0x02	0x74	0x0000	User Scratch Register 1	Table 120
USER_SCR_2	R/W	Yes	0x02	0x76	0x0000	User Scratch Register 2	Table 121
USER_SCR_3	R/W	Yes	0x02	0x78	0x0000	User Scratch Register 3	Table 122
USER_SCR_4	R/W	Yes	0x02	0x7A	0x0000	User Scratch Register 4	Table 123
FLSHCNT_LOW	R	Yes	0x02	0x7C	N/A	Diagnostic, flash memory count, low word	Table 115
FLSHCNT_HIGH	R	Yes	0x02	0x7E	N/A	Diagnostic, flash memory count, high word	Table 116
PAGE_ID	R/W	No	0x03	0x00	0x0000	Page identifier	N/A
GLOB_CMD	W	No	0x03	0x02	N/A	Control, global commands	Table 114
Reserved	N/A	N/A	0x03	0x04	N/A	Reserved	N/A
FNCTIO_CTRL	R/W	Yes	0x03	0x06	0x000D	Control, I/O pins, functional definitions	Table 117
GPIO_CTRL	R/W	Yes	0x03	0x08	0x00X0 <sup>1</sup>	Control, I/O pins, general purpose	Table 118
CONFIG	R/W	Yes	0x03	0x0A	0x00C0	Control, clock, and miscellaneous correction	Table 74
DEC_RATE	R/W	Yes	0x03	0x0C	0x0000	Control, output sample rate decimation	Table 55
NULL_CNFG	R/W	Yes	0x03	0x0E	0x070A	Control, automatic bias correction configuration	Table 70
SLP_CNT	R/W	No	0x03	0x10	N/A	Control, power-down/sleep mode	Table 119
Reserved	N/A	N/A	0x03	0x12 to 0x14	N/A	Reserved	N/A
FILTR_BNK_0	R/W	Yes	0x03	0x16	0x0000	Filter selection	Table 57
FILTR_BNK_1	R/W	Yes	0x03	0x18	0x0000	Filter selection	Table 58
Reserved	N/A	N/A	0x03	0x1A to 0x1E	N/A	Reserved	N/A
ALM_CNFG_0	R/W	Yes	0x03	0x20	0x0000	Alarm configuration	Table 110
ALM_CNFG_1	R/W	Yes	0x03	0x22	0x0000	Alarm configuration	Table 111
ALM_CNFG_2	R/W	Yes	0x03	0x24	0x0000	Alarm configuration	Table 112
Reserved	N/A	N/A	0x03	0x26	N/A	Reserved	N/A
XG_ALM_MAGN	R/W	Yes	0x03	0x28	0x0000	Alarm, x-axis gyroscope threshold setting	Table 100
YG_ALM_MAGN	R/W	Yes	0x03	0x2A	0x0000	Alarm, y-axis gyroscope threshold setting	Table 101
ZG_ALM_MAGN	R/W	Yes	0x03	0x2C	0x0000	Alarm, z-axis gyroscope threshold setting	Table 102

Name	R/W	Flash	PAGE_ID	Address	Default	Register Description	Format
XA_ALM_MAGN	R/W	Yes	0x03	0x2E	0x0000	Alarm, x-axis accelerometer threshold	Table 103
YA_ALM_MAGN	R/W	Yes	0x03	0x30	0x0000	Alarm, y-axis accelerometer threshold	Table 104
ZA_ALM_MAGN	R/W	Yes	0x03	0x32	0x0000	Alarm, z-axis accelerometer threshold	Table 105
XM_ALM_MAGN	R/W	Yes	0x03	0x34	0x0000	Alarm, x-axis magnetometer threshold	Table 106
YM_ALM_MAGN	R/W	Yes	0x03	0x36	0x0000	Alarm, y-axis magnetometer threshold	Table 107
ZM_ALM_MAGN	R/W	Yes	0x03	0x38	0x0000	Alarm, z-axis magnetometer threshold	Table 108
BR_ALM_MAGN	R/W	Yes	0x03	0x3A	0x0000	Alarm, barometer threshold setting	Table 109
Reserved	N/A	N/A	0x03	0x3C to 0x76	N/A	Reserved	N/A
FIRM_REV	R	Yes	0x03	0x78	N/A	Firmware revision	Table 50
FIRM_DM	R	Yes	0x03	0x7A	N/A	Firmware programming date: day/month	Table 51
FIRM_Y	R	Yes	0x03	0x7C	N/A	Firmware programming date: year	Table 52
Reserved	N/A	N/A	0x03	0x7E	N/A	Reserved	N/A
Reserved	N/A	N/A	0x04	0x00 to 0x18	N/A	Reserved	N/A
SERIAL_NUM	R	Yes	0x04	0x20	N/A	Serial number	Table 54
Reserved	N/A	N/A	0x04	0x22 to 0x7F	N/A	Reserved	N/A
FIR_COEF_Axxx	R/W	Yes	0x05	0x00 to 0x7E	N/A	FIR Filter Bank A, Coefficients 0 through 59	Table 59
FIR_COEF_Axxx	R/W	Yes	0x06	0x00 to 0x7E	N/A	FIR Filter Bank A, Coefficients 60 through 119	Table 59
FIR_COEF_Bxxx	R/W	Yes	0x07	0x00 to 0x7E	N/A	FIR Filter Bank B, Coefficients 0 through 59	Table 60
FIR_COEF_Bxxx	R/W	Yes	0x08	0x00 to 0x7E	N/A	FIR Filter Bank B, Coefficients 60 through 119	Table 60
FIR_COEF_Cxxx	R/W	Yes	0x09	0x00 to 0x7E	N/A	FIR Filter Bank C, Coefficients 0 through 59	Table 61
FIR_COEF_Cxxx	R/W	Yes	0x0A	0x00 to 0x7E	N/A	FIR Filter Bank C, Coefficients 60 through 119	Table 61
FIR_COEF_Dxxx	R/W	Yes	0x0B	0x00 to 0x7E	N/A	FIR Filter Bank D, Coefficients 0 through 59	Table 62
FIR_COEF_Dxxx	R/W	Yes	0x0C	0x00 to 0x7E	N/A	FIR Filter Bank D, Coefficients 60 through 119	Table 62

<sup>1</sup> The GPIO\_CTRL[7:4] bits reflect the logic levels on the DIOx lines and do not have a default setting.

## OUTPUT DATA REGISTERS

After the ADIS16488 completes its start-up process, the PAGE\_ID register contains 0x0000, which sets Page 0 as the active page for SPI access. Page 0 contains the output data, real-time clock, status, and product identification registers.

### INERTIAL SENSOR DATA FORMAT

The gyroscope, accelerometer, delta angle, delta velocity, and barometer output data registers use a 32-bit, twos complement format. Each output uses two registers to support this resolution. Figure 18 provides an example of how each register contributes to each inertial measurement. In this case, X\_GYRO\_OUT is the most significant word (upper 16 bits), and X\_GYRO\_LOW is the least significant word (lower 16 bits). In many cases, using the most significant word registers alone provide sufficient resolution for preserving key performance metrics.

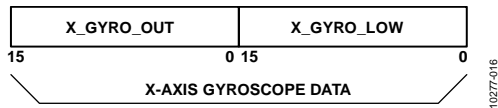


Figure 18. Gyroscope Output Format Example, DEC\_RATE > 0

The arrows in Figure 19 describe the direction of the motion, which produces a positive output response in each sensor's output register. The accelerometers respond to both dynamic and static forces associated with acceleration, including gravity. When lying perfectly flat, as shown in Figure 19, the z-axis accelerometer output is 1 g, and the x and y accelerometers are 0 g.

### ROTATION RATE (GYROSCOPE)

The registers that use the x\_GYRO\_OUT format are the primary registers for the gyroscope measurements (see Table 10, Table 11, and Table 12). When processing data from these registers, use a 16-bit, twos complement data format. Table 13 provides x\_GYRO\_OUT digital coding examples.

Table 10. X\_GYRO\_OUT (Page 0, Base Address = 0x12)

Bits	Description
[15:0]	X-axis gyroscope data; twos complement, $\pm 450^\circ/\text{sec}$ range, $0^\circ/\text{sec} = 0x0000$ , 1 LSB = $0.02^\circ/\text{sec}$

Table 11. Y\_GYRO\_OUT (Page 0, Base Address = 0x16)

Bits	Description
[15:0]	Y-axis gyroscope data; twos complement, $\pm 450^\circ/\text{sec}$ range, $0^\circ/\text{sec} = 0x0000$ , 1 LSB = $0.02^\circ/\text{sec}$

Table 12. Z\_GYRO\_OUT (Page 0, Base Address = 0x1A)

Bits	Description
[15:0]	Z-axis gyroscope data; twos complement, $\pm 450^\circ/\text{sec}$ range, $0^\circ/\text{sec} = 0x0000$ , 1 LSB = $0.02^\circ/\text{sec}$

Table 13. x\_GYRO\_OUT Data Format Examples

Rotation Rate	Decimal	Hex	Binary
+450°/sec	+22,500	0x57E4	0101 0111 1110 0100
+0.04°/sec	+2	0x0002	0000 0000 0000 0010
+0.02°/sec	+1	0x0001	0000 0000 0000 0001
0°/sec	0	0x0000	0000 0000 0000 0000
-0.02°/sec	-1	0xFFFF	1111 1111 1111 1111
-0.04°/sec	-2	0xFFFE	1111 1111 1111 1110
-450°/sec	-22,500	0xA81C	1010 1000 0001 1100

The registers that use the x\_GYRO\_LOW naming format provide additional resolution for the gyroscope measurements (see Table 14, Table 15, and Table 16). The MSB has a weight of  $0.01^\circ/\text{sec}$ , and each subsequent bit has  $\frac{1}{2}$  the weight of the previous one.

Table 14. X\_GYRO\_LOW (Page 0, Base Address = 0x10)

Bits	Description
[15:0]	X-axis gyroscope data; additional resolution bits

Table 15. Y\_GYRO\_LOW (Page 0, Base Address = 0x14)

Bits	Description
[15:0]	Y-axis gyroscope data; additional resolution bits

Table 16. Z\_GYRO\_LOW (Page 0, Base Address = 0x18)

Bits	Description
[15:0]	Z-axis gyroscope data; additional resolution bits

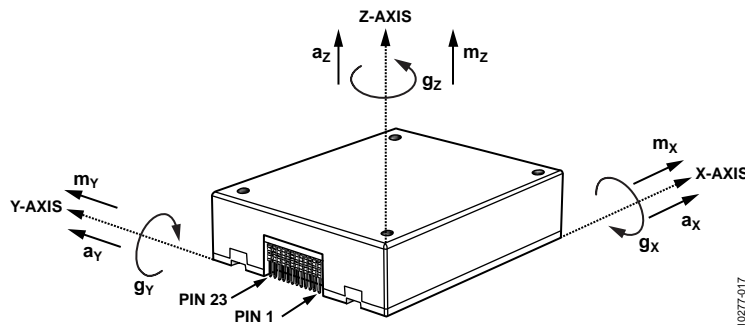


Figure 19. Inertial Sensor Direction Reference Diagram

**ACCELERATION**

The registers that use the x\_ACCL\_OUT format are the primary registers for the accelerometer measurements (see Table 17, Table 18, and Table 19). When processing data from these registers, use a 16-bit, twos complement data format. Table 20 provides x\_ACCL\_OUT digital coding examples.

**Table 17. X\_ACCL\_OUT (Page 0, Base Address = 0x1E)**

Bits	Description
[15:0]	X-axis accelerometer data; twos complement, ±18 g range, 0 g = 0x0000, 1 LSB = 0.8 mg

**Table 18. Y\_ACCL\_OUT (Page 0, Base Address = 0x22)**

Bits	Description
[15:0]	Y-axis accelerometer data; twos complement, ±18 g range, 0 g = 0x0000, 1 LSB = 0.8 mg

**Table 19. Z\_ACCL\_OUT (Page 0, Base Address = 0x26)**

Bits	Description
[15:0]	Z-axis accelerometer data; twos complement, ±18 g range, 0 g = 0x0000, 1 LSB = 0.8 mg

**Table 20. x\_ACCL\_OUT Data Format Examples**

Acceleration	Decimal	Hex	Binary
+18 g	+22,500	0x57E4	0101 0111 1110 0100
+1.6 mg	+2	0x0002	0000 0000 0000 0010
+0.8 mg	+1	0x0001	0000 0000 0000 0001
0 mg	0	0x0000	0000 0000 0000 0000
-0.8 mg	-1	0xFFFF	1111 1111 1111 1111
-1.6 mg	-2	0xFFFE	1111 1111 1111 1110
-18 g	-22,500	0xA81C	1010 1000 0001 1100

The registers that use the x\_ACCL\_LOW naming format provide additional resolution for the accelerometer measurements (see Table 21, Table 22, and Table 23). The MSB has a weight of 0.4 mg, and each subsequent bit has ½ the weight of the previous one.

**Table 21. X\_ACCL\_LOW (Page 0, Base Address = 0x1C)**

Bits	Description
[15:0]	X-axis accelerometer data; additional resolution bits

**Table 22. Y\_ACCL\_LOW (Page 0, Base Address = 0x20)**

Bits	Description
[15:0]	Y-axis accelerometer data; additional resolution bits

**Table 23. Z\_ACCL\_LOW (Page 0, Base Address = 0x24)**

Bits	Description
[15:0]	Z-axis accelerometer data; additional resolution bits

**DELTA ANGLES**

The delta angle outputs represent an integration of the gyroscope measurements and use the following formula for all three axes (x-axis displayed):

$$\Delta\theta_x = \frac{\Delta t_s}{2} \times (\omega_{x,n+1} + \omega_{x,n}); \Delta t_s = \frac{DEC\_RATE + 1}{f_s}$$

where:

$\omega_x$  is the gyroscope, x-axis.

$\Delta t_s$  is the time between samples.

When using the internal sample clock,  $f_s$  is equal to 2.46 kHz. When using the external clock option, the time between samples is the time between active edges on the input clock signal, as measured by the internal clock (252 MHz). See Table 55 for more information on the DEC\_RATE register. The registers that use the x\_DELTANG\_OUT format are the primary registers for the delta angle calculations. When processing data from these registers, use a 16-bit, twos complement data format (see Table 24, Table 25, and Table 26). Table 27 provides x\_DELTANG\_OUT digital coding examples.

**Table 24. X\_DELTANG\_OUT (Page 0, Base Address = 0x42)**

Bits	Description
[15:0]	X-axis delta angle data; twos complement, ±720° range, 0° = 0x0000, 1 LSB = 720°/2 <sup>15</sup> = ~0.022°

**Table 25. Y\_DELTANG\_OUT (Page 0, Base Address = 0x46)**

Bits	Description
[15:0]	Y-axis delta angle data; twos complement, ±720° range, 0° = 0x0000, 1 LSB = 720°/2 <sup>15</sup> = ~0.022°

**Table 26. Z\_DELTANG\_OUT (Page 0, Base Address = 0x4A)**

Bits	Description
[15:0]	Z-axis delta angle data; twos complement, ±720° range, 0° = 0x0000, 1 LSB = 720°/2 <sup>15</sup> = ~0.022°

**Table 27. x\_DELTANG\_OUT Data Format Examples**

Angle (°)	Decimal	Hex	Binary
+720 × (2 <sup>15</sup> - 1)/2 <sup>15</sup>	+32,767	0x7FFF	0111 1111 1110 1111
+1440/2 <sup>15</sup>	+2	0x0002	0000 0000 0000 0010
+720/2 <sup>15</sup>	+1	0x0001	0000 0000 0000 0001
0	0	0x0000	0000 0000 0000 0000
-720/2 <sup>15</sup>	-1	0xFFFF	1111 1111 1111 1111
-1440/2 <sup>15</sup>	-2	0xFFFE	1111 1111 1111 1110
-720	-32,768	0x8000	1000 0000 0000 0000

The registers that use the x\_DELTANG\_LOW format provide additional resolution for the gyroscope measurements (see Table 28, Table 29, and Table 30). The MSB has a weight of  $\sim 0.011^\circ$  ( $720^\circ/2^{16}$ ), and each subsequent bit carries a weight of  $\frac{1}{2}$  of the previous one.

**Table 28. X\_DELTANG\_LOW (Page 0, Base Address = 0x40)**

Bits	Description
[15:0]	X-axis delta angle data; additional resolution bits

**Table 29. Y\_DELTANG\_LOW (Page 0, Base Address = 0x44)**

Bits	Description
[15:0]	Y-axis delta angle data; additional resolution bits

**Table 30. Z\_DELTANG\_LOW (Page 0, Base Address = 0x48)**

Bits	Description
[15:0]	Z-axis delta angle data; additional resolution bits

**DELTA VELOCITY**

The delta velocity outputs represent an integration of the accelerometer measurements and use the following formula for all three axes (x-axis displayed):

$$\Delta\theta_x = \frac{\Delta t_s}{2} \times (a_{x,n+1} + a_{x,n}); \Delta t_s = \frac{DEC\_RATE + 1}{f_s}$$

where:

$a_x$  is the accelerometer, x-axis.

$\Delta t_s$  is the time between samples.

When using the internal sample clock,  $f_s$  is equal to 2.46 kHz. When using the external clock option, the time between samples is the time between active edges on the input clock signal, as measured by the internal clock (252 MHz). See Table 55 for more information on the DEC\_RATE register. The registers that use the x\_DELTVEL\_OUT format are the primary registers for the delta velocity calculations. When processing data from these registers, use a 16-bit, twos complement data format (see Table 31, Table 32, and Table 33). Table 34 provides x\_DELTVEL\_OUT digital coding examples.

**Table 31. X\_DELTVEL\_OUT (Page 0, Base Address = 0x4E)**

Bits	Description
[15:0]	X-axis delta velocity data; twos complement, $\pm 200$ m/sec range, 0 m/sec = 0x0000 1 LSB = $200 \text{ m/sec} \div (2^{15} - 1) = \sim 6.104 \text{ mm/sec}$

**Table 32. Y\_DELTVEL\_OUT (Page 0, Base Address = 0x52)**

Bits	Description
[15:0]	Y-axis delta velocity data; twos complement, $\pm 200$ m/sec range, 0 m/sec = 0x0000 1 LSB = $200 \text{ m/sec} \div (2^{15} - 1) = \sim 6.104 \text{ mm/sec}$

**Table 33. Z\_DELTVEL\_OUT (Page 0, Base Address = 0x56)**

Bits	Description
[15:0]	Z-axis delta velocity data; twos complement, $\pm 200$ m/sec range, 0 m/sec = 0x0000 1 LSB = $200 \text{ m/sec} \div (2^{15} - 1) = \sim 6.104 \text{ mm/sec}$

**Table 34. x\_DELTVEL\_OUT, Data Format Examples**

Velocity (m/sec)	Decimal	Hex	Binary
$+160 \times (2^{15} - 1)/2^{15}$	+32,767	0x7FFF	0111 1111 1111 1111
$+400/2^{15}$	+2	0x0002	0000 0000 0000 0010
$+200/2^{15}$	+1	0x0001	0000 0000 0000 0001
0	0	0x0000	0000 0000 0000 0000
$-200/2^{15}$	-1	0xFFFF	1111 1111 1111 1111
$-400/2^{15}$	-2	0xFFFE	1111 1111 1111 1110
-160	-32,768	0x8000	1000 0000 0000 0000

The registers that use the x\_DELTVEL\_LOW naming format provide additional resolution for the gyroscope measurements (see Table 35, Table 36, and Table 37). The MSB has a weight of  $\sim 3.052 \text{ mm/sec}$  ( $200 \text{ m/sec} \div 2^{16}$ ), and each subsequent bit carries a weight of  $\frac{1}{2}$  of the previous one.

**Table 35. X\_DELTVEL\_LOW (Page 0, Base Address = 0x4C)**

Bits	Description
[15:0]	X-axis delta velocity data; additional resolution bits

**Table 36. Y\_DELTVEL\_LOW (Page 0, Base Address = 0x50)**

Bits	Description
[15:0]	Y-axis delta velocity data; additional resolution bits

**Table 37. Z\_DELTVEL\_LOW (Page 0, Base Address = 0x54)**

Bits	Description
[15:0]	Z-axis delta velocity data; additional resolution bits



## MAGNETOMETERS

The registers that use the `x_MAGN_OUT` format are the primary registers for the magnetometer measurements. When processing data from these registers, use a 16-bit, twos complement data format. Table 38, Table 39, and Table 40 provide each register's numerical format, and Table 41 provides `x_MAGN_OUT` digital coding examples.

**Table 38. X\_MAGN\_OUT (Page 0, Base Address = 0x28)**

Bits	Description
[15:0]	X-axis magnetometer data; twos complement, $\pm 3.2767$ gauss range, 0 gauss = 0x0000, 1 LSB = 0.1 mgauss

**Table 39. Y\_MAGN\_OUT (Page 0, Base Address = 0x2A)**

Bits	Description
[15:0]	Y-axis magnetometer data; twos complement, $\pm 3.2767$ gauss range, 0 gauss = 0x0000, 1 LSB = 0.1 mgauss

**Table 40. Z\_MAGN\_OUT (Page 0, Base Address = 0x2C)**

Bits	Description
[15:0]	Z-axis magnetometer data; twos complement, $\pm 3.2767$ gauss range, 0 gauss = 0x0000, 1 LSB = 0.1 mgauss

**Table 41. x\_MAGN\_OUT Data Format Examples**

Magnetic Field	Decimal	Hex	Binary
+3.2767 gauss	+32,767	0x7FFF	0111 1111 1111 1111
+0.2 mgauss	+2	0x0002	0000 0000 0000 0010
+0.1 mgauss	+1	0x0001	0000 0000 0000 0001
0 gauss	0	0x0000	0000 0000 0000 0000
-0.1 mgauss	-1	0xFFFF	1111 1111 1111 1111
-0.2 mgauss	-2	0xFFFE	1111 1111 1111 1110
-3.2768 gauss	-32,768	0x8000	1000 0000 0000 0000

## BAROMETER

The `BAROM_OUT` register (see Table 42) and `BAROM_LOW` register (see Table 44) provide access to the barometric pressure data. These two registers combine to provide a 32-bit, twos complement format. Some applications are able to use `BAROM_OUT` by itself. For cases where the finer resolution available from `BAROM_LOW` is valuable, combine them in the same manner as the gyroscopes (see Figure 18). When processing data from the `BAROM_OUT` register alone, use a 16-bit, twos complement data format. Table 42 provides the numerical format in `BAROM_OUT`, and Table 43 provides digital coding examples.

**Table 42. BAROM\_OUT (Page 0, Base Address = 0x30)**

Bits	Description
[15:0]	Barometric pressure; twos complement, $\pm 1.31$ bar range, 0 bar = 0x0000, 40 $\mu$ bar/LSB

**Table 43. BAROM\_OUT Data Format Examples**

Pressure (bar)	Decimal	Hex	Binary
$+0.00004 \times (2^{15} - 1)$	+32,767	0x7FFF	0111 1111 1110 1111
+0.00008	+2	0x0002	0000 0000 0000 0010
+0.00004	+1	0x0001	0000 0000 0000 0001
0	0	0x0000	0000 0000 0000 0000
-0.00004	-1	0xFFFF	1111 1111 1111 1111
-0.00008	-2	0xFFFE	1111 1111 1111 1110
$-0.00004 \times 2^{15}$	-32,768	0x8000	1000 0000 0000 0000

The `BAROM_LOW` register provides additional resolution for the barometric pressure measurement. The MSB has a weight of 20  $\mu$ bar, and each subsequent bit carries a weight of  $\frac{1}{2}$  of the previous one.

**Table 44. BAROM\_LOW (Page 0, Base Address = 0x2E)**

Bits	Description
[15:0]	Barometric pressure; additional resolution bits

## INTERNAL TEMPERATURE

The `TEMP_OUT` register provides an internal temperature measurement that can be useful for observing relative temperature changes inside of the ADIS16488 (see Table 45). Table 46 provides `TEMP_OUT` digital coding examples. Note that this temperature reflects a higher temperature than ambient, due to self-heating.

**Table 45. TEMP\_OUT (Page 0, Base Address = 0x0E)**

Bits	Description
[15:0]	Temperature data; twos complement, 0.00565°C per LSB, 25°C = 0x0000

**Table 46. TEMP\_OUT Data Format Examples**

Temperature (°C)	Decimal	Hex	Binary
+85	+10,619	0x297B	0010 1001 0111 1011
+25 + 0.0113	+2	0x0002	0000 0000 0000 0010
+25 + 0.00565	+1	0x0001	0000 0000 0000 0001
+25	0	0x0000	0000 0000 0000 0000
+25 - 0.00565	-1	0xFFFF	1111 1111 1111 1111
+25 - 0.0113	-2	0xFFFE	1111 1111 1111 1110
-40	-11,504	0xD310	1101 0011 0001 0000

**STATUS/ALARM INDICATORS**

The SYS\_E\_FLAG register in Table 47 provides the system error flags and new data bits for the magnetometer and barometer outputs. The new data flags are useful for triggering data collection of the magnetometer and barometer (x\_MAGN\_OUT and BARO\_xxx registers) because they update at a fixed rate that is not dependent on the DEC\_RATE setting. Note that reading SYS\_E\_FLAG also resets it to 0x0000.

**Table 47. SYS\_E\_FLAG (Page 0, Base Address = 0x08)**

Bits	Description (Default = 0x0000)
[15]	Watch dog timer flag (1 = timed out)
[14:10]	Not used
9	New data flag, barometer (1 = new, unread data) <sup>1</sup>
8	New data flag, magnetometer (1 = new, unread data) <sup>2</sup>
7	Processing overrun (1 = error)
6	Flash memory update, result of GLOB_CMD[3] = 1 (1 = failed update, 0 = update successful)
5	Inertial self-test failure (1 = DIAG_STS ≠ 0x0000)
4	Sensor overrange (1 = at least one sensor overranged)
3	SPI communication error (1 = error condition, when the number of SCLK pulses is not equal to a multiple of 16)
[2:1]	Not used
0	Alarm status flag (1 = ALM_STS ≠ 0x0000)

<sup>1</sup> This flag restores to zero after reading the contents on BAROM\_OUT.

<sup>2</sup> This flag restores to zero after reading one x\_MAGN\_OUT register.

The DIAG\_STS register in Table 48 provides the flags for the internal self-test function, which is from GLOB\_CMD[1] (see Table 114). Note that the barometer's flag, DIAG\_STS[11], only updates after start-up and reset operations. Note that reading DIAG\_STS also resets it to 0x0000.

**Table 48. DIAG\_STS (Page 0, Base Address = 0x0A)**

Bits	Description (Default = 0x0000)
[15:12]	Not used
11	Self-test failure, barometer (1 = failed at start-up)
10	Self-test failure, Z-axis magnetometer (1 = failure)
9	Self-test failure, Y-axis magnetometer (1 = failure)
8	Self-test failure, X-axis magnetometer (1 = failure)
[7:6]	Not used
5	Self-test failure, Z-axis accelerometer (1 = failure)
4	Self-test failure, Y-axis accelerometer (1 = failure)
3	Self-test failure, X-axis accelerometer (1 = failure)
2	Self-test failure, Z-axis gyroscope (1 = failure)
1	Self-test failure, Y-axis gyroscope (1 = failure)
0	Self-test failure, X-axis gyroscope (1 = failure)

The ALM\_STS register in Table 49 provides the alarm bits for the programmable alarm levels of each sensor. Note that reading ALM\_STS also resets it to 0x0000.

**Table 49. ALM\_STS (Page 0, Base Address = 0x0C)**

Bits	Description (Default = 0x0000)
[15:12]	Not used
11	Barometer alarm flag (1 = alarm is active)
10	Z-axis magnetometer alarm flag (1 = alarm is active)
9	Y-axis magnetometer alarm flag (1 = alarm is active)
8	X-axis magnetometer alarm flag (1 = alarm is active)
[7:6]	Not used
5	Z-axis accelerometer alarm flag (1 = alarm is active)
4	Y-axis accelerometer alarm flag (1 = alarm is active)
3	X-axis accelerometer alarm flag (1 = alarm is active)
2	Z-axis gyroscope alarm flag (1 = alarm is active)
1	Y-axis gyroscope alarm flag (1 = alarm is active)
0	X-axis gyroscope alarm flag (1 = alarm is active)

**FIRMWARE REVISION**

The FIRM\_REV register (see Table 50) provides the firmware revision for the internal processor. Each nibble represents a digit in this revision code. For example, if FIRM\_REV = 0x0102, the firmware revision is 1.02.

**Table 50. FIRM\_REV (Page 3, Base Address = 0x78)**

Bits	Description
[15:12]	Binary, revision, 10's digit
[11:8]	Binary, revision, 1's digit
[7:4]	Binary, revision, tenths digit
[3:0]	Binary, revision, hundredths digit

The FIRM\_DM register (see Table 51) contains the month and day of the factory configuration date. FIRM\_DM[15:12] and FIRM\_DM[11:8] contain digits that represent the month of factory configuration. For example, November is the 11<sup>th</sup> month in a year and represented by FIRM\_DM[15:8] = 0x11. FIRM\_DM[7:4] and FIRM\_DM[3:0] contain digits that represent the day of factory configuration. For example, the 27<sup>th</sup> day of the month is represented by FIRM\_DM[7:0] = 0x27.

**Table 51. FIRM\_DM (Page 3, Base Address = 0x7A)**

Bits	Description
[15:12]	Binary, month 10's digit, range: 0 to 1
[11:8]	Binary, month 1's digit, range: 0 to 9
[7:4]	Binary, day 10's digit, range: 0 to 3
[3:0]	Binary, day 1's digit, range: 0 to 9

The FIRM\_Y register (see Table 52) contains the year of the factory configuration date. For example, the year of 2013 is represented by FIRM\_Y = 0x2013.

**Table 52. FIRM\_Y (Page 3, Base Address = 0x7C)**

Bits	Description
[15:12]	Binary, year 1000's digit, range: 0 to 9
[11:8]	Binary, year 100's digit, range: 0 to 9
[7:4]	Binary, year 10's digit, range: 0 to 9
[3:0]	Binary, year 1's digit, range: 0 to 9

**PRODUCT IDENTIFICATION**

The PROD\_ID register (see Table 53) contains the binary equivalent of the part number (16,488 = 0x4068), and the SERIAL\_NUM register (see Table 54) contains a lot-specific serial number.

**Table 53. PROD\_ID (Page 0, Base Address = 0x7E)**

Bits	Description (Default = 0x4068)
[15:0]	Product identification = 0x4068

**Table 54. SERIAL\_NUM (Page 4, Base Address = 0x20)**

Bits	Description
[15:0]	Lot-specific serial number

## DIGITAL SIGNAL PROCESSING GYROSCOPES/ACCELEROMETERS

Figure 20 provides a signal flow diagram for all of the components and settings that influence the frequency response for the accelerometers and gyroscopes. The sample rate for each accelerometer and gyroscope is 9.84 kHz. Each sensor has its own averaging/decimation filter stage, which reduces the update rate to 2.46 kSPS. When using the external clock option (FNCTIO\_CTRL[7:4], see Table 117), the input clock drives a 4-sample burst at a sample rate of 9.84kSPS, which feeds into the 4x averaging/decimation filter. This results in a data rate that is equal to the input clock frequency.

### AVERAGING/DECIMATION FILTER

The DEC\_RATE register (see Table 55) provides user control for the final filter stage (see Figure 20), which averages and decimates the accelerometers, gyroscopes, delta angle, and delta velocity data. The output sample rate is equal to  $2460 / (\text{DEC\_RATE} + 1)$ . When using the external clock option (FNCTIO\_CTRL[7:4], see Table 117), replace the “2460” number in this relationship, with the input clock frequency. For example, turn to Page 3 (DIN = 0x8003), and set DEC\_RATE = 0x18 (DIN = 0x8C18, then DIN = 0x8D00) to reduce the output sample rate to 98.4 SPS ( $2460 \div 25$ ).

Table 55. DEC\_RATE (Page 3, Base Address = 0x0C)

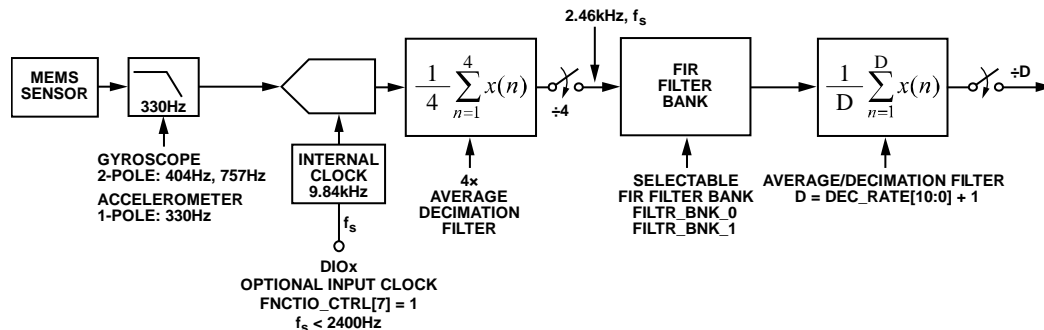
Bits	Description (Default = 0x0000)
[15:11]	Don't care
[10:0]	Decimation rate, binary format, maximum = 2047 See Figure 20 for impact on sample rate

## MAGNETOMETER/BAROMETER

When using the internal sampling clock, the magnetometer output registers (xMAGN\_OUT) update at a rate of 102.5 SPS and the barometer output registers (BARO\_XXX) update at a rate of 51.25 SPS. When using the external clock, the magnetometers update at a rate of 1/24th of the input clock frequency and the barometers update at a rate that is 1/48th of the input clock frequency. The update rates for the magnetometer and barometers do not change with the DEC\_RATE register settings. SYS\_E\_FLAG[9:8] (see Table 47) offers new data bits for these registers and the SEQ\_CNT register provides a counter function to help determine when there is new data in the magnetometer and barometer registers. When SEQ\_CNT = 0x0001, there is new data in the magnetometer and barometer output registers. The SEQ\_CNT register can be useful during initialization to help synchronize read loops for new data in both magnetometer and barometer outputs. When beginning a continuous read loop, read SEQ\_CNT, then subtract this value from the maximum value shown (range) in Table 56 to calculate the number of internal sample cycles until both magnetometer and barometer data is new.

Table 56. SEQ\_CNT (Page 0, Base Address = 0x06)

Bits	Description
[15:11]	Don't care
[6:0]	Binary counter: range = 1 to $48 / (\text{DEC\_RATE} + 1)$



NOTES

1. WHEN FNCTIO\_CTRL[7] = 1, EACH CLOCK PULSE ON THE DESIGNATED DIOx LINE (FNCTIO\_CTRL[5:4]) STARTS A 4-SAMPLE BURST, AT A SAMPLE RATE OF 9.84kHz. THESE FOUR SAMPLES FEED INTO THE 4x AVERAGE/DECIMATION FILTER, WHICH PRODUCES A DATA RATE THAT IS EQUAL TO THE INPUT CLOCK FREQUENCY.

Figure 20. Sampling and Frequency Response Block Diagram

## FIR FILTER BANKS

The ADIS16488 provides four configurable, 120-tap FIR filter banks. Each coefficient is 16 bits wide and occupies its own register location with each page. When designing a FIR filter for these banks, use a sample rate of 2.46 kHz and scale the coefficients so that their sum equals 32,768. For filter designs that have less than 120 taps, load the coefficients into the lower portion of the filter and start with Coefficient 1. Make sure that all unused taps are equal to zero, so that they do not add phase delay to the response. The FILTR\_BNK\_x registers provide three bits per sensor, which configure the filter bank (A, B, C, D) and turn filtering on and off. For example, turn to Page 3 (DIN = 0x8003), then write 0x0057 to FILTR\_BNK\_0 (DIN = 0x9657, DIN = 0x9700) to set the x-axis gyroscope to use the FIR filter in Bank D, to set the y-axis gyroscope to use the FIR filter in Bank B, and to enable these FIR filters in both x- and y-axis gyroscopes. Note that the filter settings update after writing to the upper byte; therefore, always configure the lower byte first. In cases that require configuration to only the lower byte of either FILTR\_BNK\_0 or FILTR\_BNK\_1, complete the process by writing 0x00 to the upper byte.

**Table 57. FILTR\_BNK\_0 (Page 3, Base Address = 0x16)**

Bits	Description (Default = 0x0000)
15	Don't care
14	Y-axis accelerometer filter enable (1 = enabled)
[13:12]	Y-axis accelerometer filter bank selection: 00 = Bank A, 01 = Bank B, 10 = Bank C, 11 = Bank D
11	X-axis accelerometer filter enable (1 = enabled)
[10:9]	X-axis accelerometer filter bank selection: 00 = Bank A, 01 = Bank B, 10 = Bank C, 11 = Bank D
8	Z-axis gyroscope filter enable (1 = enabled)
[7:6]	Z-axis gyroscope filter bank selection: 00 = Bank A, 01 = Bank B, 10 = Bank C, 11 = Bank D
5	Y-axis gyroscope filter enable (1 = enabled)
[4:3]	Y-axis gyroscope filter bank selection: 00 = Bank A, 01 = Bank B, 10 = Bank C, 11 = Bank D
2	X-axis gyroscope filter enable (1 = enabled)
[1:0]	X-axis gyroscope filter bank selection: 00 = Bank A, 01 = Bank B, 10 = Bank C, 11 = Bank D

**Table 58. FILTR\_BNK\_1 (Page 3, Base Address = 0x18)**

Bits	Description (Default = 0x0000)
[15:12]	Don't care
11	Z-axis magnetometer filter enable (1 = enabled)
[10:9]	Z-axis magnetometer filter bank selection: 00 = Bank A, 01 = Bank B, 10 = Bank C, 11 = Bank D
8	Y-axis magnetometer filter enable (1 = enabled)
[7:6]	Y-axis magnetometer filter bank selection: 00 = Bank A, 01 = Bank B, 10 = Bank C, 11 = Bank D
5	X-axis magnetometer filter enable (1 = enabled)
[4:3]	X-axis magnetometer filter bank selection: 00 = Bank A, 01 = Bank B, 10 = Bank C, 11 = Bank D
2	Z-axis accelerometer filter enable (1 = enabled)
[1:0]	Z-axis accelerometer filter bank selection: 00 = Bank A, 01 = Bank B, 10 = Bank C, 11 = Bank D

## Filter Memory Organization

Each filter bank uses two pages of the user register structure. See Table 59, Table 60, Table 61, and Table 62 for the register addresses in each filter bank.

**Table 59. Filter Bank A Memory Map**

Page	PAGE_ID	Address	Register
5	0x05	0x00	PAGE_ID
5	0x05	0x02 to 0x07	Not used
5	0x05	0x08	FIR_COEF_A000
5	0x05	0x0A	FIR_COEF_A001
5	0x05	0x0C to 0x7C	FIR_COEF_A002 to FIR_COEF_A058
5	0x05	0x7E	FIR_COEF_A059
6	0x06	0x00	PAGE_ID
6	0x06	0x02 to 0x07	Not used
6	0x06	0x08	FIR_COEF_A060
6	0x06	0x0A	FIR_COEF_A061
6	0x06	0x0C to 0x7C	FIR_COEF_A062 to FIR_COEF_A118
6	0x06	0x7E	FIR_COEF_D119

**Table 60. Filter Bank B Memory Map**

Page	PAGE_ID	Address	Register
7	0x07	0x00	PAGE_ID
7	0x07	0x02 to 0x07	Not used
7	0x07	0x08	FIR_COEF_B000
7	0x07	0x0A	FIR_COEF_B001
7	0x07	0x0C to 0x7C	FIR_COEF_B002 to FIR_COEF_B058
7	0x07	0x7E	FIR_COEF_B059
8	0x08	0x00	PAGE_ID
8	0x08	0x02 to 0x07	Not used
8	0x08	0x08	FIR_COEF_B060
8	0x08	0x0A	FIR_COEF_B061
8	0x08	0x0C to 0x7C	FIR_COEF_B062 to FIR_COEF_B118
8	0x08	0x7E	FIR_COEF_B119

**Table 61. Filter Bank C Memory Map**

Page	PAGE_ID	Address	Register
9	0x09	0x00	PAGE_ID
9	0x09	0x02 to 0x07	Not used
9	0x09	0x08	FIR_COEF_C000
9	0x09	0x0A	FIR_COEF_C001
9	0x09	0x0C to 0x7C	FIR_COEF_C002 to FIR_COEF_C058
9	0x09	0x7E	FIR_COEF_C059
10	0x0A	0x00	PAGE_ID
10	0x0A	0x02 to 0x07	Not used
10	0x0A	0x08	FIR_COEF_C060
10	0x0A	0x0A	FIR_COEF_C061
10	0x0A	0x0C to 0x7C	FIR_COEF_C062 to FIR_COEF_C118
10	0x0A	0x7E	FIR_COEF_C119

Table 62. Filter Bank D Memory Map

Page	PAGE_ID	Address	Register
11	0x0B	0x00	PAGE_ID
11	0x0B	0x02 to 0x07	Not used
11	0x0B	0x08	FIR_COEF_D000
11	0x0B	0x0A	FIR_COEF_D001
11	0x0B	0x0C to 0x7C	FIR_COEF_D002 to FIR_COEF_D058
11	0x0B	0x7E	FIR_COEF_D059
12	0x0C	0x00	PAGE_ID
12	0x0C	0x02 to 0x07	Not used
12	0x0C	0x08	FIR_COEF_D060
12	0x0C	0x0A	FIR_COEF_D061
12	0x0C	0x0C to 0x7C	FIR_COEF_D062 to FIR_COEF_D118
12	0x0C	0x7E	FIR_COEF_D119

**Default Filter Performance**

The FIR filter banks have factory-programmed filter designs. They are all low-pass filters that have unity dc gain. Table 63 provides a summary of each filter design, and Figure 21 shows the frequency response characteristics. The phase delay is equal to ½ of the total number of taps.

Table 63. FIR Filter Descriptions, Default Configuration

FIR Filter Bank	Taps	-3 dB Frequency (Hz)
A	120	310
B	120	55
C	32	275
D	32	63

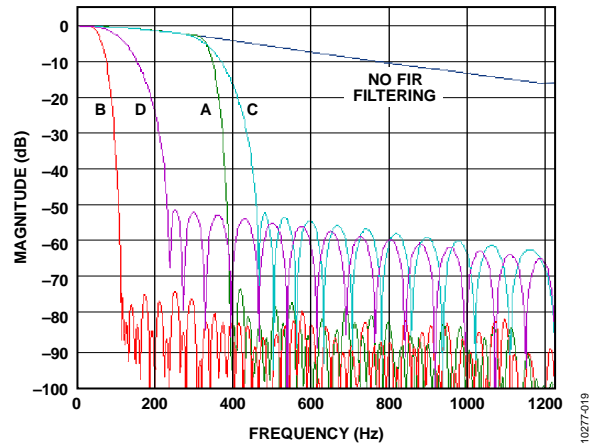


Figure 21. FIR Filter Frequency Response Curves

# CALIBRATION

The ADIS16488 factory calibration produces correction formulas for the gyroscopes, accelerometers, magnetometers, and barometers, and then programs them into the flash memory. In addition, there are a series of user-configurable calibration registers, for in-system tuning.

## GYROSCOPES

The user-calibration for the gyroscopes includes registers for adjusting bias and sensitivity, as shown in Figure 22.

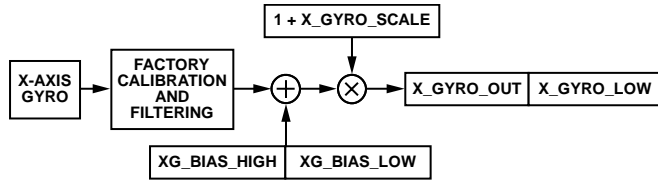


Figure 22. User Calibration Signal Path, Gyroscopes

### Manual Bias Correction

The xG\_BIAS\_HIGH registers (see Table 64, Table 65, and Table 66) and xG\_BIAS\_LOW registers (see Table 67, Table 68, and Table 69) provide a bias adjustment function for the output of each gyroscope sensor.

Table 64. XG\_BIAS\_HIGH (Page 2, Base Address = 0x12)

Bits	Description (Default = 0x0000)
[15:0]	X-axis gyroscope offset correction, upper word twos complement, 0°/sec = 0x0000, 1 LSB = 0.02°/sec

Table 65. YG\_BIAS\_HIGH (Page 2, Base Address = 0x16)

Bits	Description (Default = 0x0000)
[15:0]	Y-axis gyroscope offset correction, upper word; twos complement, 0°/sec = 0x0000, 1 LSB = 0.02°/sec

Table 66. ZG\_BIAS\_HIGH (Page 2, Base Address = 0x1A)

Bits	Description (Default = 0x0000)
[15:0]	Z-axis gyroscope offset correction, upper word; twos complement, 0°/sec = 0x0000, 1 LSB = 0.02°/sec

Table 67. XG\_BIAS\_LOW (Page 2, Base Address = 0x10)

Bits	Description (Default = 0x0000)
[15:0]	X-axis gyroscope offset correction, lower word; twos complement, 0°/sec = 0x0000, 1 LSB = 0.02°/sec ÷ 2 <sup>16</sup> = ~0.000000305°/sec

Table 68. YG\_BIAS\_LOW (Page 2, Base Address = 0x14)

Bits	Description (Default = 0x0000)
[15:0]	Y-axis gyroscope offset correction, lower word; twos complement, 0°/sec = 0x0000, 1 LSB = 0.02°/sec ÷ 2 <sup>16</sup> = ~0.000000305°/sec

Table 69. ZG\_BIAS\_LOW (Page 2, Base Address = 0x18)

Bits	Description (Default = 0x0000)
[15:0]	Z-axis gyroscope offset correction, lower word twos complement, 0°/sec = 0x0000, 1 LSB = 0.02°/sec ÷ 2 <sup>16</sup> = ~0.000000305°/sec

### Bias Null Command

The continuous bias estimator (CBE) accumulates and averages data in a 64-sample FIFO. The average time (t<sub>A</sub>) for the bias estimates relies on the sample time base setting in NULL\_CNFG[3:0] (see Table 70). Users can load the correction factors of the CBE into the gyroscope offset correction registers (see Table 64, Table 65, Table 66, Table 67, Table 68, and Table 69) using the bias null command in GLOB\_CMD[0] (see Table 114). NULL\_CNFG[13:8] provide on/off controls for the sensors that update when issuing a bias null command. The factory default configuration for NULL\_CNFG enables the bias null command for the gyroscopes, disables the bias null command for the accelerometers, and establishes the average time to ~26.64 seconds.

Table 70. NULL\_CNFG (Page 3, Base Address = 0x0E)

Bits	Description (Default = 0x070A)
[15:14]	Not used
13	Z-axis acceleration bias correction enable (1 = enabled)
12	Y-axis acceleration bias correction enable (1 = enabled)
11	X-axis acceleration bias correction enable (1 = enabled)
10	Z-axis gyroscope bias correction enable (1 = enabled)
9	Y-axis gyroscope bias correction enable (1 = enabled)
8	X-axis gyroscope bias correction enable (1 = enabled)
[7:4]	Not used
[3:0]	Time base control (TBC), range: 0 to 13 (default = 10); t <sub>B</sub> = 2 <sup>TBC</sup> /2460, time base, t <sub>A</sub> = 64 × t <sub>B</sub> , average time

Turn to Page 3 (DIN = 0x8003) and set GLOB\_CMD[0] = 1 (DIN = 0x8201, then DIN = 0x8300) to update the user offset registers with the correction factors of the CBE. Make sure that the inertial platform is stable during the entire average time for optimal bias estimates.

### Manual Sensitivity Correction

The x\_GYRO\_SCALE registers enable sensitivity adjustment (see Table 71, Table 72, and Table 73).

Table 71. X\_GYRO\_SCALE (Page 2, Base Address = 0x04)

Bits	Description (Default = 0x0000)
[15:0]	X-axis gyroscope scale correction; twos complement, 0x0000 = unity gain, 1 LSB = 1 ÷ 2 <sup>15</sup> = ~0.0003052%

Table 72. Y\_GYRO\_SCALE (Page 2, Base Address = 0x06)

Bits	Description (Default = 0x0000)
[15:0]	Y-axis gyroscope scale correction; twos complement, 0x0000 = unity gain, 1 LSB = 1 ÷ 2 <sup>15</sup> = ~0.0003052%

Table 73. Z\_GYRO\_SCALE (Page 2, Base Address = 0x08)

Bits	Description (Default = 0x0000)
[15:0]	Z-axis gyroscope scale correction; twos complement, 0x0000 = unity gain, 1 LSB = 1 ÷ 2 <sup>15</sup> = ~0.0003052%

**Linear Acceleration on Effect on Gyroscope Bias**

MEMS gyroscopes typically have a bias response to linear acceleration that is normal to their axis of rotation. The ADIS16488 offers an optional compensation function for this effect. Turn to Page 3 (DIN = 0x8003) and set CONFIG[7] = 1 (DIN = 0x9080, DIN = 0x9100).

**Table 74. CONFIG (Page 3, Base Address = 0x0A)**

Bits	Description (Default = 0x00C0)
[15:8]	Not used
7	Linear-g compensation for gyroscopes (1 = enabled)
6	Point of percussion alignment (1 = enabled)
[5:2]	Not used
1	Real-time clock, daylight savings time (1: enabled, 0: disabled)
0	Real-time clock control (1: relative/elapsed timer mode, 0: calendar mode)

**ACCELEROMETERS**

The user-calibration for the accelerometers includes registers for adjusting bias and sensitivity, as shown in Figure 23.

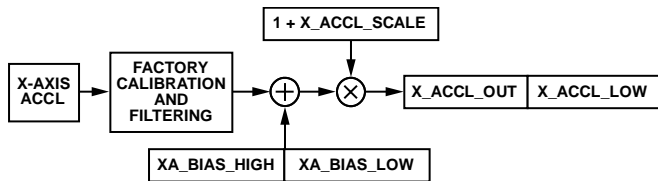


Figure 23. User Calibration Signal Path, Gyroscopes

**Manual Bias Correction**

The xA\_BIAS\_HIGH (see Table 75, Table 76, and Table 77) and xA\_BIAS\_LOW (see Table 78, Table 79, and Table 80) registers provide a bias adjustment function for the output of each gyroscope sensor. The xA\_BIAS\_HIGH registers use the same format as x\_ACCL\_OUT registers. The xA\_BIAS\_LOW registers use the same format as x\_ACCL\_LOW registers.

**Table 75. XA\_BIAS\_HIGH (Page 2, Base Address = 0x1E)**

Bits	Description (Default = 0x0000)
[15:0]	X-axis accelerometer offset correction, high word, Twos complement, 0 g = 0x0000, 1 LSB = 0.8 mg

**Table 76. YA\_BIAS\_HIGH (Page 2, Base Address = 0x22)**

Bits	Description (Default = 0x0000)
[15:0]	Y-axis accelerometer offset correction, high word, Twos complement, 0 g = 0x0000, 1 LSB = 0.8 mg

**Table 77. ZA\_BIAS\_HIGH (Page 2, Base Address = 0x26)**

Bits	Description (Default = 0x0000)
[15:0]	Z-axis accelerometer offset correction, high word, Twos complement, 0 g = 0x0000, 1 LSB = 0.8 mg

**Table 78. XA\_BIAS\_LOW (Page 2, Base Address = 0x1C)**

Bits	Description (Default = 0x0000)
[15:0]	X-axis accelerometer offset correction, low word, Twos complement, 0 g = 0x0000, 1 LSB = 0.8 mg ÷ 2 <sup>16</sup> = ~0.0000122 mg

**Table 79. YA\_BIAS\_LOW (Page 2, Base Address = 0x20)**

Bits	Description (Default = 0x0000)
[15:0]	Y-axis accelerometer offset correction, low word, Twos complement, 0 g = 0x0000, 1 LSB = 0.8 mg ÷ 2 <sup>16</sup> = ~0.0000122 mg

**Table 80. ZA\_BIAS\_LOW (Page 2, Base Address = 0x24)**

Bits	Description (Default = 0x0000)
[15:0]	Z-axis accelerometer offset correction, low word, Twos complement, 0 g = 0x0000, 1 LSB = 0.8 mg ÷ 2 <sup>16</sup> = ~0.0000122 mg

**Manual Sensitivity Correction**

The x\_ACCL\_SCALE registers enable sensitivity adjustment (see Table 81, Table 82, Table 83).

**Table 81. X\_ACCL\_SCALE (Page 2, Base Address = 0x0A)**

Bits	Description (Default = 0x0000)
[15:0]	X-axis accelerometer scale correction, Twos complement, 0x0000 = unity gain, 1 LSB = 1 ÷ 2 <sup>15</sup> = ~0.0003052%

**Table 82. Y\_ACCL\_SCALE (Page 2, Base Address = 0x0C)**

Bits	Description (Default = 0x0000)
[15:0]	Y-axis accelerometer scale correction, Twos complement, 0x0000 = unity gain, 1 LSB = 1 ÷ 2 <sup>15</sup> = ~0.0003052%

**Table 83. Z\_ACCL\_SCALE (Page 2, Base Address = 0x0E)**

Bits	Description (Default = 0x0000)
[15:0]	Z-axis accelerometer scale correction, Twos complement, 0x0000 = unity gain, 1 LSB = 1 ÷ 2 <sup>15</sup> = ~0.0003052%

**MAGNETOMETERS**

The user calibration registers enable both hard-iron and soft-iron correction, as shown in the following relationship:

$$\begin{bmatrix} M_{XC} \\ M_{YC} \\ M_{ZC} \end{bmatrix} = \begin{bmatrix} 1 + S_{11} & S_{12} & S_{13} \\ S_{21} & 1 + S_{22} & S_{23} \\ S_{31} & S_{32} & 1 + S_{33} \end{bmatrix} \times \begin{bmatrix} M_X \\ M_Y \\ M_Z \end{bmatrix} + \begin{bmatrix} H_X \\ H_Y \\ H_Z \end{bmatrix}$$

The M<sub>x</sub>, M<sub>y</sub>, and M<sub>z</sub> variables represent the magnetometer data, prior to application of the user correction formula. The M<sub>xc</sub>, M<sub>yc</sub>, and M<sub>zc</sub> represent the magnetometer data, after the application of the user correction formula.



**Hard-Iron Correction**

Table 84, Table 85, and Table 86 describe the register format for the hard-iron correction factors: H<sub>x</sub>, H<sub>y</sub>, and H<sub>z</sub>. These registers use a twos complement format. Table 87 provides some numerical examples for converting the digital codes for these registers into their decimal equivalent.

**Table 84. HARD\_IRON\_X (Page 2, Base Address = 0x28)**

Bits	Description (Default = 0x0000)
[15:0]	X-axis magnetometer hard-iron correction factor, H <sub>x</sub> Twos complement, ±3.2767 gauss range, 0.1 mgauss/LSB, 0 gauss = 0x0000 (see Table 87)

**Table 85. HARD\_IRON\_Y (Page 2, Base Address = 0x2A)**

Bits	Description (Default = 0x0000)
[15:0]	Y-axis magnetometer hard-iron correction factor, H <sub>y</sub> Twos complement, ±3.2767 gauss range, 0.1 mgauss/LSB, 0 gauss = 0x0000 (see Table 87)

**Table 86. HARD\_IRON\_Z (Page 2, Base Address = 0x2C)**

Bits	Description (Default = 0x0000)
[15:0]	Z-axis magnetometer hard-iron correction factor, H <sub>z</sub> Twos complement, ±3.2767 gauss range, 0.1 mgauss/LSB, 0 gauss = 0x0000 (see Table 87)

**Table 87. x\_MAGN\_OUT Data Format Examples**

Magnetic Field	Decimal	Hex	Binary
+3.2767 gauss	+32,767	0x7FFF	0111 1111 1111 1111
+0.2 mgauss	+2	0x0002	0000 0000 0000 0010
+0.1 mgauss	+1	0x0001	0000 0000 0000 0001
0 gauss	0	0x0000	0000 0000 0000 0000
-0.1 mgauss	-1	0xFFFF	1111 1111 1111 1111
-0.2 mgauss	-2	0xFFFE	1111 1111 1111 1110
-3.2768 gauss	-32,768	0x8000	1000 0000 0000 0000

**Soft-Iron Correction Matrix**

The soft-iron correction matrix contains correction factors for both sensitivity (S<sub>11</sub>, S<sub>22</sub>, S<sub>33</sub>) and alignment (S<sub>12</sub>, S<sub>13</sub>, S<sub>21</sub>, S<sub>23</sub>, S<sub>31</sub>, S<sub>32</sub>). The registers that represent each soft-iron correction factor are in Table 88 (S<sub>11</sub>), Table 89 (S<sub>12</sub>), Table 90 (S<sub>13</sub>), Table 91 (S<sub>21</sub>), Table 92 (S<sub>22</sub>), Table 93 (S<sub>23</sub>), Table 94 (S<sub>31</sub>), Table 95 (S<sub>32</sub>), and Table 96 (S<sub>33</sub>). Table 97 offers some numerical examples for converting between the digital codes and their effect on the magnetometer output, in terms of percent-change.

**Table 88. SOFT\_IRON\_S11 (Page 2, Base Address = 0x2E)**

Bits	Description (Default = 0x0000)
[15:0]	Magnetometer soft-iron correction factor, S <sub>11</sub> Twos complement format, see Table 97 for examples

**Table 89. SOFT\_IRON\_S12 (Page 2, Base Address = 0x30)**

Bits	Description (Default = 0x0000)
[15:0]	Magnetometer soft-iron correction factor, S <sub>12</sub> Twos complement format, see Table 97 for examples

**Table 90. SOFT\_IRON\_S13 (Page 2, Base Address = 0x32)**

Bits	Description (Default = 0x0000)
[15:0]	Magnetometer soft-iron correction factor, S <sub>13</sub> Twos complement format, see Table 97 for examples

**Table 91. SOFT\_IRON\_S21 (Page 2, Base Address = 0x34)**

Bits	Description (Default = 0x0000)
[15:0]	Magnetometer soft-iron correction factor, S <sub>21</sub> Twos complement format, see Table 97 for examples

**Table 92. SOFT\_IRON\_S22 (Page 2, Base Address = 0x36)**

Bits	Description (Default = 0x0000)
[15:0]	Magnetometer soft-iron correction factor, S <sub>22</sub> Twos complement format, see Table 97 for examples

**Table 93. SOFT\_IRON\_S23 (Page 2, Base Address = 0x38)**

Bits	Description (Default = 0x0000)
[15:0]	Magnetometer soft-iron correction factor, S <sub>23</sub> Twos complement format, see Table 97 for examples

**Table 94. SOFT\_IRON\_S31 (Page 2, Base Address = 0x3A)**

Bits	Description (Default = 0x0000)
[15:0]	Magnetometer soft-iron correction factor, S <sub>31</sub> Twos complement format, see Table 97 for examples

**Table 95. SOFT\_IRON\_S32 (Page 2, Base Address = 0x3C)**

Bits	Description (Default = 0x0000)
[15:0]	Magnetometer soft-iron correction factor, S <sub>32</sub> Twos complement format, see Table 97 for examples

**Table 96. SOFT\_IRON\_S33 (Page 2, Base Address = 0x3E)**

Bits	Description (Default = 0x0000)
[15:0]	Magnetometer soft-iron correction factor, S <sub>33</sub> Twos complement format, see Table 97 for examples

**Table 97. Soft Iron Correction, Numerical Examples**

Delta (%)	Decimal	Hex	Binary
+100 - 1/2 <sup>16</sup>	+32,767	0x7FFF	0111 1111 1111 1111
+200/2 <sup>15</sup>	+2	0x0002	0000 0000 0000 0010
+100/2 <sup>15</sup>	+1	0x0001	0000 0000 0000 0001
0	0	0x0000	0000 0000 0000 0000
-100/2 <sup>15</sup>	-1	0xFFFF	1111 1111 1111 1111
-200/2 <sup>15</sup>	-2	0xFFFE	1111 1111 1111 1110
-100	-32,768	0x8000	1000 0000 0000 0000

**BAROMETERS**

The BR\_BIAS\_HIGH register (see Table 98) and BR\_BIAS\_LOW register (Table 99) provide an offset control function and use the same format as the output registers, BAROM\_OUT and BAROM\_LOW.

**Table 98. BR\_BIAS\_HIGH (Page 2, Base Address = 0x42)**

Bits	Description (Default = 0x0000)
[15:0]	Barometric pressure bias correction factor, high word Twos complement, ±1.3 bar measurement range, 0 bar = 0x0000, 1 LSB = 40 μbar

**Table 99. BR\_BIAS\_LOW (Page 2, Base Address = 0x40)**

Bits	Description (Default = 0x0000)
[15:0]	Barometric pressure bias correction factor, low word Twos complement, ±1.3 bar measurement range, 0 bar = 0x0000, 1 LSB = 40 μbar ÷ 2 <sup>16</sup> = ~0.00061 μbar

**RESTORING FACTORY CALIBRATION**

Turn to Page 3 (DIN = 0x8003) and set GLOB\_CMD[6] = 1 (DIN = 0xA240, DIN = 0xA300) to execute the factory calibration restore function. This function resets each user calibration register to zero, resets all sensor data to 0, and automatically updates the flash memory within 72 ms. See Table 114 for more information on GLOB\_CMD.

**POINT OF PERCUSSION ALIGNMENT**

CONFIG[6] offers a point of percussion alignment function that maps the accelerometer sensors to the corner of the package identified in Figure 24. To activate this feature, turn to Page 3 (DIN = 0x8003), then set CONFIG[6] = 1 (DIN = 0x8A40, DIN = 0x8B00). See Table 74 for more information on the CONFIG register.

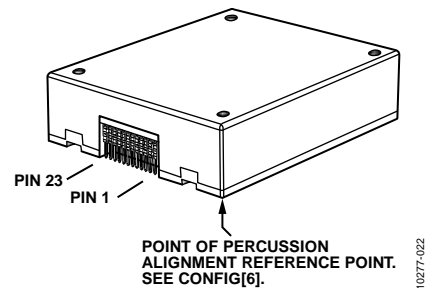


Figure 24. Point of Percussion Reference Point

## ALARMS

Each sensor has an independent alarm function that provides controls for alarm magnitude, polarity, and enabling a dynamic rate-of-change option. The ALM\_STS register (see Table 49) contains the alarm output flags and the FNCTIO\_CTRL register (see Table 117) provides an option for configuring one of the digital I/O lines as an alarm indicator.

### STATIC ALARM USE

The static alarm setting compares each sensor's output with the trigger settings in the xx\_ALM\_MAGN registers (see Table 100, Table 101, Table 102, Table 103, Table 104, Table 105, Table 106, Table 107, Table 108, and Table 109) of that sensor. The polarity controls for each alarm are in the ALM\_CNFG\_x registers (see Table 110, Table 111, Table 112). The polarity establishes whether greater than or less than produces an alarm condition. The comparison between the xx\_ALM\_MAGN value and the output data only applies to the upper word or 16 bits of the output data.

### DYNAMIC ALARM USE

The dynamic alarm setting provides the option of comparing the change in each sensor's output over a period of 48.7 ms with that sensor's xx\_ALM\_MAGN register.

**Table 100. XG\_ALM\_MAGN (Page 3, Base Address = 0x28)**

Bits	Description (Default = 0x0000)
[15:0]	X-axis gyroscope alarm threshold settings, Twos complement, 0°/sec = 0x0000, 1 LSB = 0.02°/sec

**Table 101. YG\_ALM\_MAGN (Page 3, Base Address = 0x2A)**

Bits	Description (Default = 0x0000)
[15:0]	Y-axis gyroscope alarm threshold settings, Twos complement, 0°/sec = 0x0000, 1 LSB = 0.02°/sec

**Table 102. ZG\_ALM\_MAGN (Page 3, Base Address = 0x2C)**

Bits	Description (Default = 0x0000)
[15:0]	Z-axis gyroscope alarm threshold settings, Twos complement, 0°/sec = 0x0000, 1 LSB = 0.02°/sec

**Table 103. XA\_ALM\_MAGN (Page 3, Base Address = 0x2E)**

Bits	Description (Default = 0x0000)
[15:0]	X-axis accelerometer alarm threshold settings, Twos complement, 0 g = 0x0000, 1 LSB = 0.8 mg

**Table 104. YA\_ALM\_MAGN (Page 3, Base Address = 0x30)**

Bits	Description (Default = 0x0000)
[15:0]	Y-axis accelerometer alarm threshold settings, Twos complement, 0 g = 0x0000, 1 LSB = 0.8 mg

**Table 105. ZA\_ALM\_MAGN (Page 3, Base Address = 0x32)**

Bits	Description (Default = 0x0000)
[15:0]	Z-axis accelerometer alarm threshold settings, Twos complement, 0 g = 0x0000, 1 LSB = 0.8 mg

**Table 106. XM\_ALM\_MAGN (Page 3, Base Address = 0x34)**

Bits	Description (Default = 0x0000)
[15:0]	X-axis magnetometer alarm threshold settings, Twos complement, 0 gauss = 0x0000, 1 LSB = 0.1 mgauss

**Table 107. YM\_ALM\_MAGN (Page 3, Base Address = 0x36)**

Bits	Description (Default = 0x0000)
[15:0]	Y-axis magnetometer alarm threshold settings, Twos complement, 0 gauss = 0x0000, 1 LSB = 0.1 mgauss

**Table 108. ZM\_ALM\_MAGN (Page 3, Base Address = 0x38)**

Bits	Description (Default = 0x0000)
[15:0]	Z-axis magnetometer alarm threshold settings, Twos complement, 0 gauss = 0x0000, 1 LSB = 0.1 mgauss

**Table 109. BR\_ALM\_MAGN (Page 3, Base Address = 0x3A)**

Bits	Description (Default = 0x0000)
[15:0]	Z-axis barometer alarm threshold settings, Twos complement, 0 bar = 0x0000, 1 LSB = 40 μbar

**Table 110. ALM\_CNFG\_0 (Page 3, Base Address = 0x20)**

Bits	Description (Default = 0x0000)
15	X-axis accelerometer alarm (1 = enabled)
14	Not used
13	X-axis accelerometer alarm polarity (1 = greater than)
12	X-axis accelerometer dynamic enable (1 = enabled)
11	Z-axis gyroscope alarm (1 = enabled)
10	Not used
9	Z-axis gyroscope alarm polarity (1 = greater than)
8	Z-axis gyroscope dynamic enable (1 = enabled)
7	Y-axis gyroscope alarm (1 = enabled)
6	Not used
5	Y-axis gyroscope alarm polarity (1 = greater than)
4	Y-axis gyroscope dynamic enable (1 = enabled)
3	X-axis gyroscope alarm (1 = enabled)
2	Not used
1	X-axis gyroscope alarm polarity (1 = greater than)
0	X-axis gyroscope dynamic enable (1 = enabled)

**Table 111. ALM\_CNFG\_1 (Page 3, Base Address = 0x22)**

Bits	Description (Default = 0x0000)
15	Y-axis magnetometer alarm (1 = enabled)
14	Not used
13	Y-axis magnetometer alarm polarity (1 = greater than)
12	Y-axis magnetometer dynamic enable (1 = enabled)
11	X-axis magnetometer (1 = enabled)
10	Not used
9	X-axis magnetometer alarm polarity (1 = greater than)
8	X-axis magnetometer dynamic enable (1 = enabled)
7	Z-axis accelerometer alarm (1 = enabled)
6	Not used
5	Z-axis accelerometer alarm polarity (1 = greater than)
4	Z-axis accelerometer dynamic enable (1 = enabled)
3	Y-axis accelerometer alarm (1 = enabled)
2	Not used
1	Y-axis accelerometer alarm polarity (1 = greater than)
0	Y-axis accelerometer dynamic enable (1 = enabled)

**Table 112. ALM\_CNFG\_2 (Page 3, Base Address = 0x24)**

Bits	Description (Default = 0x0000)
[15:8]	Not used
7	Barometer alarm (1 = enabled)
6	Not used
5	Barometer alarm polarity (1 = greater than)
4	Barometer dynamic enable (1 = enabled)
3	Z-axis magnetometer alarm (1 = enabled)
2	Not used
1	Z-axis magnetometer alarm polarity (1 = greater than)
0	Z-axis magnetometer dynamic enable (1 = enabled)

### Alarm Example

Table 113 offers an alarm configuration example, which sets the Z-axis gyroscope alarm to trip when Z\_GYRO\_OUT > 131.1°/sec (0x199B).

**Table 113. Alarm Configuration Example**

DIN	Description
0xAC9B	Set ZG_ALM_MAGN[7:0] = 0x9B
0xAD19	Set ZG_ALM_MAGN[15:8] = 0x19
0xA000	Set ALM_CNFG_0[7:0] = 0x00
0xA103	Set ALM_CNFG_0[15:8] = 0x03

## SYSTEM CONTROLS

The ADIS16488 provides a number of system-level controls for managing its operation, which include reset, self-test, calibration, memory management, and I/O configuration.

### GLOBAL COMMANDS

The GLOB\_CMD register (see Table 114) provides trigger bits for several operations. Write 1 to the appropriate bit in GLOB\_CMD to start a function. After the function completes, the bit restores to 0.

**Table 114. GLOB\_CMD (Page 3, Base Address = 0x02)**

Bits	Description	Execution Time
[15:8]	Not used	Not applicable
7	Software reset	120 ms
6	Factory calibration restore	75 ms
[5:4]	Not used	Not applicable
3	Flash memory update	375 ms
2	Flash memory test	50 ms
1	Self-test	12 ms
0	Bias null	See Table 70

#### Software Reset

Turn to Page 3 (DIN = 0x8003) and then set GLOB\_CMD[7] = 1 (DIN = 0x8280, DIN = 0x8300) to reset the operation, which removes all data, initializes all registers from their flash settings, and starts data collection. This function provides a firmware alternative to the RST line (see Table 5, Pin 8).

#### Automatic Self-Test

Turn to Page 3 (DIN = 0x8003) and then set GLOB\_CMD[1] = 1 (DIN = 0x8202, then DIN = 0x8300) to run an automatic self-test routine, which executes the following steps:

1. Measure output on each sensor.
2. Activate self-test on each sensor.
3. Measure output on each sensor.
4. Deactivate the self-test on each sensor.
5. Calculate the difference with self-test on and off.
6. Compare the difference with internal pass/fail criteria.
7. Report the pass/fail results for each sensor in DIAG\_STS.

After waiting 12 ms for this test to complete, turn to Page 0 (DIN = 0x8000) and read DIAG\_STS using DIN = 0x0A00. Note that using an external clock can extend this time. When using an external clock of 100 Hz, this time extends to 35 ms. Note that 100 Hz is too slow for optimal sensor performance.

## MEMORY MANAGEMENT

The data retention of the flash memory depends on temperature and the number of write cycles. Figure 25 characterizes the dependence on temperature, and the FLSHCNT\_LOW and FLSHCNT\_HIGH registers (see Table 115 and Table 116) provide a running count of flash write cycles. The flash updates every time GLOB\_CMD[6], GLOB\_CMD[3], or GLOB\_CMD[0] is set to 1.

**Table 115. FLSHCNT\_LOW (Page 2, Base Address = 0x7C)**

Bits	Description
[15:0]	Binary counter; number of flash updates, lower word

**Table 116. FLSHCNT\_HIGH (Page 2, Base Address = 0x7E)**

Bits	Description
[15:0]	Binary counter; number of flash updates, upper word

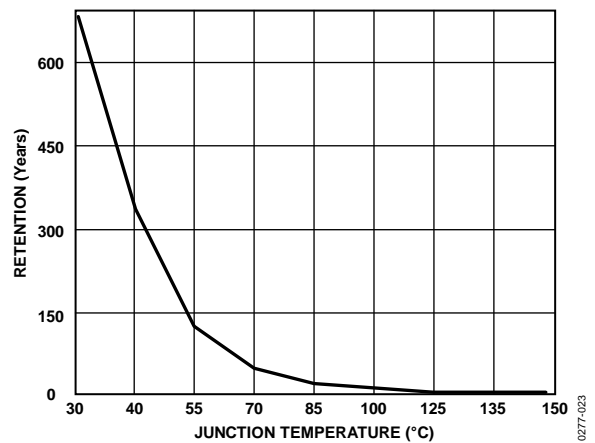


Figure 25. Flash Memory Retention

#### Flash Memory Test

Turn to Page 3 (DIN = 0x8003), and then set GLOB\_CMD[2] = 1 (DIN = 0x8204, DIN = 0x8300) to run a checksum test of the internal flash memory, which compares a factory-programmed value with the current sum of the same memory locations. The result of this test loads into SYS\_E\_FLAG[6]. Turn to Page 0 (DIN = 0x8000) and use DIN = 0x0800 to read SYS\_E\_FLAG.

## GENERAL-PURPOSE I/O

There are four general-purpose I/O lines: DIO1, DIO2, DIO3, and DIO4. The FNCTIO\_CTRL register controls the basic function of each I/O line, which provides a number of useful functions. Each I/O line will only support one function at a time. In cases where a single line has two different assignments, the enable bit for the lower-priority function will automatically reset to zero and be disabled. The priority is (1) data-ready, (2) sync clock input, (3) alarm indicator, and (4) general-purpose, where 1 identifies the highest priority and 4 indicates the lowest priority.

Table 117. FNCTIO\_CTRL (Page 3, Base Address = 0x06)

Bits	Description (Default = 0x000D)
[15:12]	Not used
11	Alarm indicator: 1 = enabled, 0 = disabled
10	Alarm indicator polarity: 1 = positive, 0 = negative
[9:8]	Alarm indicator line selection: 00 = DIO1, 01 = DIO2, 10 = DIO3, 11 = DIO4
7	Sync clock input enable: 1 = enabled, 0 = disabled
6	Sync clock input polarity: 1 = rising edge, 0 = falling edge
[5:4]	Sync clock input line selection: 00 = DIO1, 01 = DIO2, 10 = DIO3, 11 = DIO4
3	Data-ready enable: 1 = enabled, 0 = disabled
2	Data-ready polarity: 1 = positive, 0 = negative
[1:0]	Data-ready line selection: 00 = DIO1, 01 = DIO2, 10 = DIO3, 11 = DIO4

### Data-Ready Indicator

FNCTIO\_CTRL[3:0] provide some configuration options for using one of the DIOx lines as a data-ready indicator signal, which can drive a processor's interrupt control line. The factory default assigns DIO2 as a positive polarity, data-ready signal. Use the following sequence to change this assignment to DIO1 with a negative polarity: turn to Page 3 (DIN = 0x8003) and set FNCTIO\_CTRL[3:0] = 1000 (DIN = 0x8608, then DIN = 0x8700). The timing jitter on the data-ready signal is  $\pm 1.4 \mu\text{s}$ .

### Input Sync/Clock Control

FNCTIO\_CTRL[7:4] provide some configuration options for using one of the DIOx lines as an input synchronization signal for sampling inertial sensor data. For example, use the following sequence to establish DIO4 as a positive polarity, input clock pin and keep the factory default setting for the data-ready function: turn to Page 3 (DIN = 0x8003) and set FNCTIO\_CTRL[7:0] = 0xFD (DIN = 0x86FD, then DIN = 0x8700). Note that this command also disables the internal sampling clock, and no data sampling takes place without the input clock signal. When selecting a clock input frequency, consider the 330 Hz sensor bandwidth, because under sampling the sensors can degrade noise and stability performance.

### General-Purpose I/O Control

When FNCTIO\_CTRL does not configure a DIOx pin, GPIO\_CTRL provides register controls for general-purpose use of the pin. GPIO\_CTRL[3:0] provides input/output assignment controls for each line. When the DIOx lines are inputs, monitor their level by reading GPIO\_CTRL[7:4]. When the DIOx lines are used as outputs, set their level by writing to GPIO\_CTRL[7:4]. For example, use the following sequence to set DIO1 and DIO3 as high and low output lines, respectively, and set DIO2 and DIO4 as input lines. Turn to Page 3 (DIN = 0x8003) and set GPIO\_CTRL[7:0] = 0x15 (DIN = 0x8815, then DIN = 0x8900).

Table 118. GPIO\_CTRL (Page 3, Base Address = 0x08)

Bits	Description (Default = 0x00X0) <sup>1</sup>
[15:8]	Don't care
7	General-Purpose I/O Line 4 (DIO4) data level
6	General-Purpose I/O Line 3 (DIO3) data level
5	General-Purpose I/O Line 2 (DIO2) data level
4	General-Purpose I/O Line 1 (DIO1) data level
3	General-Purpose I/O Line 4 (DIO4) direction control (1 = output, 0 = input)
2	General-Purpose I/O Line 3 (DIO3) direction control (1 = output, 0 = input)
1	General-Purpose I/O Line 2 (DIO2) direction control (1 = output, 0 = input)
0	General-Purpose I/O Line 1 (DIO1) direction control (1 = output, 0 = input)

<sup>1</sup> GPIO\_CTRL[7:4] reflects levels on DIOx lines.

### POWER MANAGEMENT

The SLP\_CNT register (see Table 119) provides controls for both power-down mode and sleep modes. The trade-off between power-down mode and sleep mode is between idle power and recovery time. Power-down mode offers the best idle power consumption but requires the most time to recover. Also, all volatile settings are lost during power-down but are preserved during sleep mode.

For timed sleep mode, turn to Page 3 (DIN = 0x8003), write the amount of sleep time to SLP\_CNT[7:0] and then, set SLP\_CNT[8] = 1 (DIN = 0x9101) to start the sleep period. For a timed power-down period, change the last command to set SLP\_CNT[9] = 1 (DIN = 0x9102). To power down or sleep for an indefinite period, set SLP\_CNT[7:0] = 0x00 first, then set either SLP\_CNT[8] or SLP\_CNT[9] to 1. Note that the command takes effect when the  $\overline{\text{CS}}$  line goes high. To awaken the device from sleep or power-down mode, use one of the following options to restore normal operation:

- Assert  $\overline{\text{CS}}$  from high to low.
- Pulse RST low, then high again.
- Cycle the power.

For example, set SLP\_CNT[7:0] = 0x64 (DIN = 0x9064), then set SLP\_CNT[8] = 1 (DIN = 0x9101) to start a sleep period of 100 seconds.

**Table 119. SLP\_CNT (Page 3, Base Address = 0x10)**

Bits	Description
[15:10]	Not used
9	Power-down mode
8	Normal sleep mode
[7:0]	Programmable time bits; 1 sec/LSB; 0x00 = indefinite

If the sleep mode and power-down mode bits are both set high, the normal sleep mode (SLP\_CNT[8]) bit takes precedence.

### General-Purpose Registers

The USER\_SCR\_x registers (see Table 120, Table 121, Table 122, and Table 123) provide four 16-bit registers for storing data.

**Table 120. USER\_SCR\_1 (Page 2, Base Address = 0x74)**

Bits	Description
[15:0]	User-defined

**Table 121. USER\_SCR\_2 (Page 2, Base Address = 0x76)**

Bits	Description
[15:0]	User-defined

**Table 122. USER\_SCR\_3 (Page 2, Base Address = 0x78)**

Bits	Description
[15:0]	User-defined

**Table 123. USER\_SCR\_4 (Page 2, Base Address = 0x7A)**

Bits	Description
[15:0]	User-defined

### Real-Time Clock Configuration/Data

The VDDRTC power supply pin (see Table 5, Pin 23) provides a separate supply for the real-time clock (RTC) function. This enables the RTC to keep track of time, even when the main supply (VDD) is off. Configure the RTC function by selecting one of two modes in CONFIG[0] (see Table 74). The real-time clock data is available in the TIME\_MS\_OUT register (see Table 124), TIME\_DH\_OUT register (see Table 125), and TIME\_YM\_OUT register (see Table 126). When using the elapsed timer mode, the time data registers start at 0x0000 when the device starts up (or resets) and begin keeping time in a manner that is similar to a stopwatch. When using the clock/calendar mode, write the current time to the real-time registers in the following

sequence: seconds (TIME\_MS\_OUT[5:0]), minutes (TIME\_MS\_OUT[13:8]), hours (TIME\_DH\_OUT[5:0]), day (TIME\_DH\_OUT[12:8]), month (TIME\_YM\_OUT[3:0]), and year (TIME\_YM\_OUT[14:8]). The updates to the timer do not become active until a successful write to the TIME\_YM\_OUT[14:8] byte. The real-time clock registers reflect the newly updated values only after the next seconds tick of the clock that follows the write to TIME\_YM\_OUT[14:8] (year). Writing to TIME\_YM\_OUT[14:8] activates all timing values; therefore, always write to this location last when updating the timer, even if the year information does not require updating.

Write the current time to each time data register after setting CONFIG[0] = 1 (DIN = 0x8003, DIN = 0x8A01). Note that CONFIG[1] provides a bit for managing daylight savings time. After the CONFIG and TIME\_xx\_OUT registers are configured, set GLOB\_CMD[3] = 1 (DIN = 0x8003, DIN = 0x8204, DIN = 0x8300) to back these settings up in flash, and use a separate 3.3 V source to supply power to the VDDRTC function. Note that access to time data in the TIME\_xx\_OUT registers requires normal operation (VDD = 3.3 V and full startup), but the timer function only requires that VDDRTC = 3.3 V when the rest of the ADIS16488 is turned off.

**Table 124. TIME\_MS\_OUT (Page 0, Base Address = 0x78)**

Bits	Description
[15:14]	Not used
[13:8]	Minutes, binary data, range = 0 to 59
[7:6]	Not used
[5:0]	Seconds, binary data, range = 0 to 59

**Table 125. TIME\_DH\_OUT (Page 0, Base Address = 0x7A)**

Bits	Description
[15:13]	Not used
[12:8]	Day, binary data, range = 1 to 31
[7:6]	Not used
[5:0]	Hours, binary data, range = 0 to 23

**Table 126. TIME\_YM\_OUT (Page 0, Base Address = 0x7C)**

Bits	Description
[15]	Not used
[14:8]	Year, binary data, range = 0 to 99, relative to 2000 A.D.
[7:4]	Not used
[3:0]	Month, binary data, range = 1 to 12

## APPLICATIONS INFORMATION

### PROTOTYPE INTERFACE BOARD

The ADIS16488/PCBZ includes one ADIS16488AMLZ, one interface printed circuit board (PCB), and four M2 × 0.4 × 18 mm machine screws. The interface PCB provides four holes for ADIS16488AMLZ attachment and four larger holes for attaching the interface PCB to another surface. The ADIS16488AMLZ attachment holes are pre-tapped for M2 × 0.4 mm machine screws and the four larger holes, located in each corner, support attachment with M2.5 or #4 machine screws. J1 is a dual-row, 2 mm (pitch) connector that works with a number of ribbon cable systems, including 3M Part Number 152212-0100-GB (ribbon crimp connector) and 3M Part Number 3625/12 (ribbon cable). Note that J1 has 16 pads but currently uses a 12-pin connector. The extra pins accommodate future evaluation system plans.

Figure 27 provides the pin assignments for J1. The pin descriptions match those listed in Table 5. The C1 and C2 locations provide solder pads for extra capacitors, which can provide additional filtering for start-up transients and supply noise.

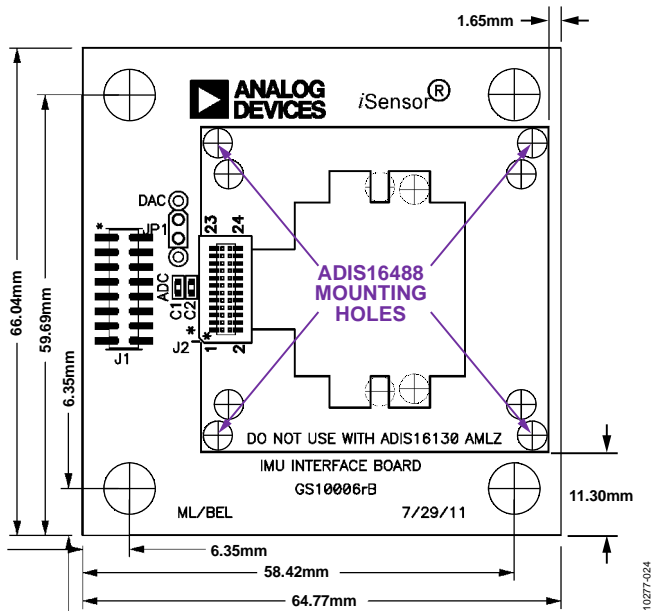


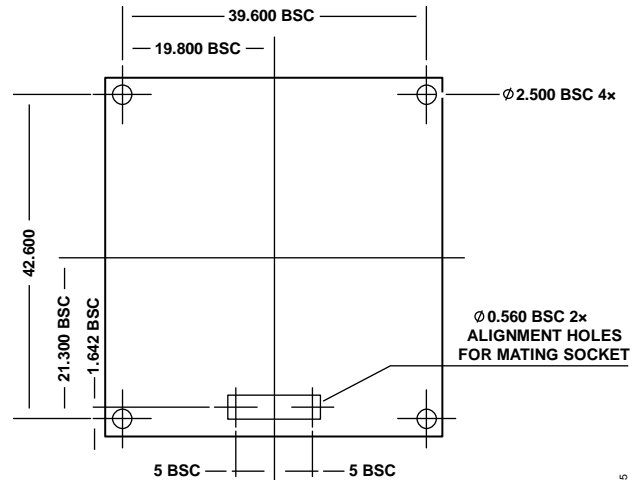
Figure 26. Physical Diagram for the ADIS16488/PCBZ

J1			
RST	1	2	SCLK
CS	3	4	DOUT
DNC	5	6	DIN
GND	7	8	GND
GND	9	10	VDD
VDD	11	12	VDD
DIO1	13	14	DIO2
DIO3	15	16	DIO4

Figure 27. ADIS16488/PCBZ J1 Pin Assignments

### INSTALLATION TIPS

Figure 28 and Figure 29 provide the mechanical design information used for the ADIS16488/PCBZ. Use these figures when implementing a connector-down approach, where the mating connector and the ADIS16488AMLZ are on the same surface. When designing a connector-up system, use the mounting holes shown in Figure 28 as a guide in designing the bulkhead mounting system and use Figure 29 as a guide in developing the mating connector interface on a flexible circuit or other connector system. The suggested torque setting for the attachment hardware is 40 inch-ounces, or 0.2825 N-m.



NOTES  
1. ALL DIMENSIONS IN mm UNITS.

Figure 28. Suggested Mounting Hole Locations, Connector Down

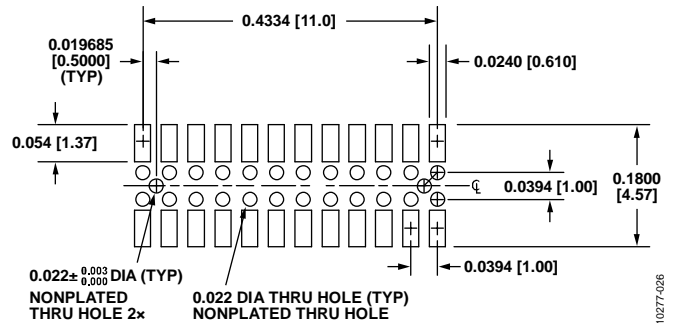


Figure 29. Suggested Layout and Mechanical Design for the Mating Connector



# OUTLINE DIMENSIONS

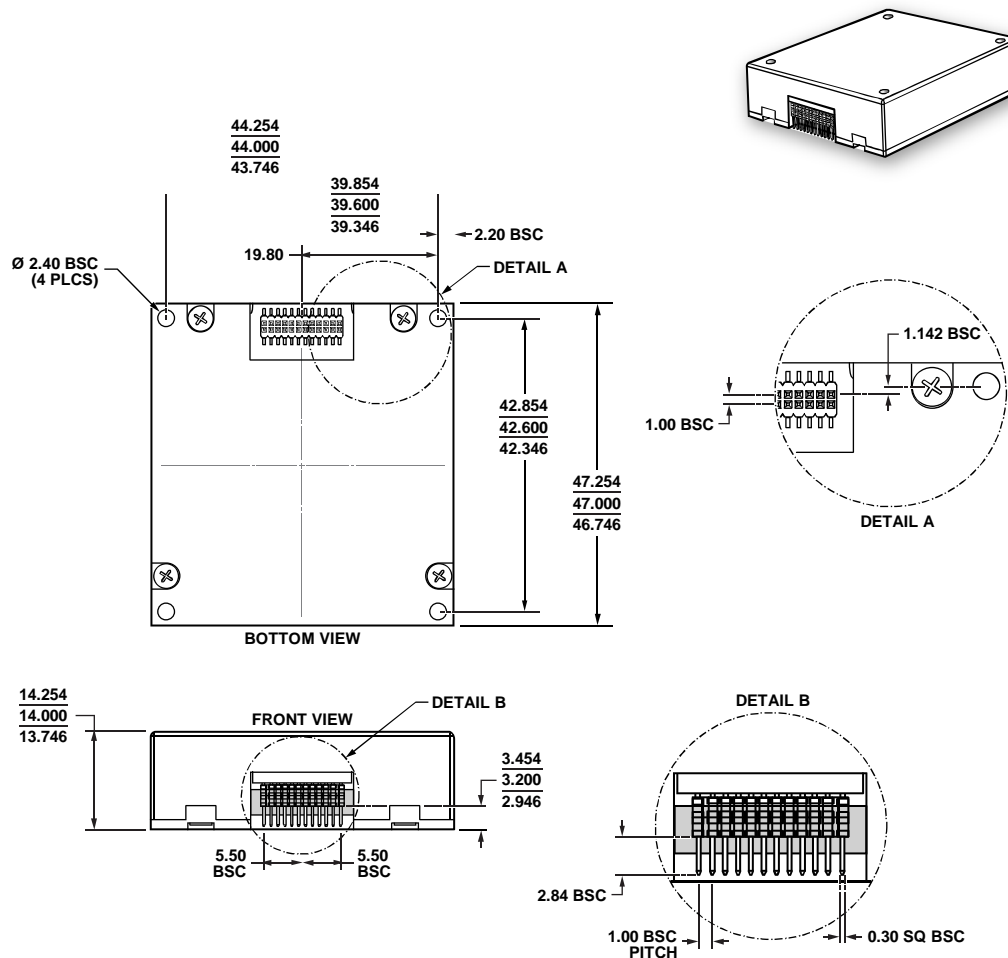


Figure 30. 24-Lead Module with Connector Interface [MODULE]  
(ML-24-6)  
Dimensions shown in millimeters

10-20-2010-B

## ORDERING GUIDE

Model <sup>1, 2</sup>	Temperature Range	Package Description	Package Option
ADIS16488AMLZ	-40°C to +85°C	24-Lead Module with Connector Interface [MODULE]	ML-24-6
ADIS16488/PCBZ		Interface PCB	

<sup>1</sup> Z = RoHS Compliant Part.

<sup>2</sup> The ADIS16488/PCBZ includes one ADIS16488AMLZ and one interface board PCB. See Figure 26 for more information on the interface PCB.

**NOTES**

**NOTES**

**NOTES**